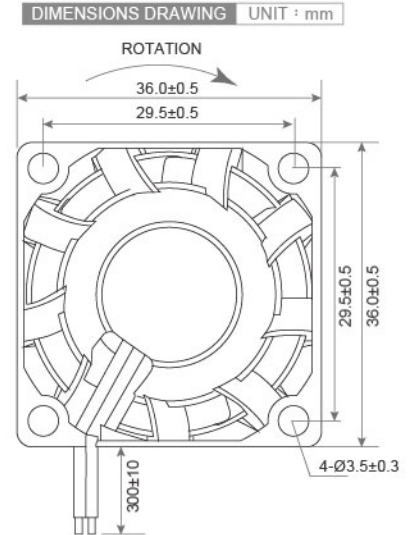
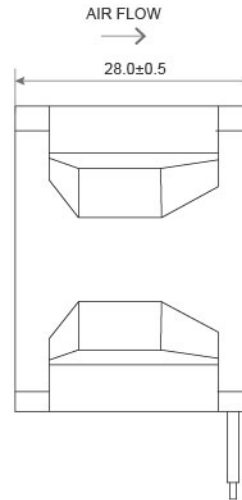
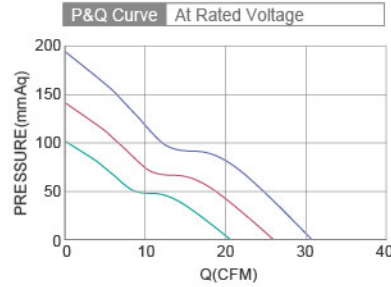


# DC Axial Fan TRF3628 B SERIES 36X36X28mm



- Frame : Thermoplastic PBT UL94-V0  
外框材質：環保防火PBT
- Impeller : Thermoplastic PBT UL94-V0  
扇葉材質：環保防火PBT
- Bearing : ◎Two Ball Bearing  
軸承：※含油、◎滾珠軸承
- Unit Weight : 54g  
風扇單體重量：54克



Model No.	Bearing Type	Voltage (VDC)	Current (A)	Power (W)	Speed (RPM)	Air Flow (CFM)	Air Flow (m <sup>3</sup> /min)	Air Pressure (mmH <sub>2</sub> O)	Air Pressure (Inch H <sub>2</sub> O)	Noise (dBA)
TRF3628x12M	※◎	12 (9.5~13.2)	1.0	14.4	28500	20.4	0.57	101.97	4.01	64.5
TRF3628x12H	※◎	12 (9.5~13.2)	1.4	20.4	32500	25.4	0.72	142.76	5.62	67.5
TRF3628x12VH	※◎	12 (9.5~13.2)	2.1	25.2	36500	30.5	0.86	193.74	7.63	70.5
TRF3628x24M	※◎	24 (13.5~26.0)	0.5	14.4	28500	20.4	0.57	101.97	4.01	64.5
TRF3628x24H	※◎	24 (13.5~26.0)	0.7	20.4	32500	25.4	0.72	142.76	5.62	67.5
TRF3628x24VH	※◎	24 (13.5~26.0)	1.1	25.2	36500	30.5	0.86	193.74	7.63	70.5

◎ Bearing System ※ : Sleeve ★ : WRB ◎ : Ball

★如果您需要的轉速或電壓或功能不在這份清單上，請與我們業務聯繫 Please contact us, if the SPEC you need is not in the list.

★產品詳細數據及功能請參閱承認書 Please see the approval sheet for more information . ★產品規格變更不另行通知 Specifications are subject to change without notice. ■ A12