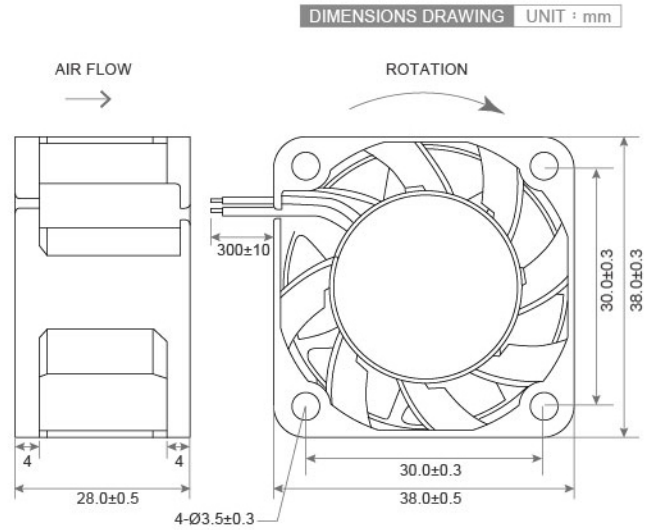
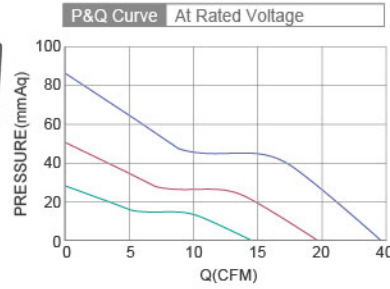


# DC Axial Fan TRF3828 A SERIES 38X38X28mm



- Frame : Thermoplastic PBT UL94-V0  
外框材質：環保防火PBT
- Impeller : Thermoplastic PBT UL94-V0  
扇葉材質：環保防火PBT
- Bearing : ◎Two Ball Bearing  
軸承：※含油・◎滾珠軸承
- Unit Weight : 48g  
風扇單體重量：48克



Model No.	Bearing Type	Voltage (VDC)	Current (A)	Power (W)	Speed (RPM)	Air Flow (CFM)	Air Flow (m <sup>3</sup> /min)	Air Pressure (mmH <sub>2</sub> O)	Air Pressure (Inch H <sub>2</sub> O)	Noise (dBA)
TRF3828x12M	※◎	12 ( 9.5~13.2)	0.35	4.2	14000	14.08	0.40	28.04	1.10	52.0
TRF3828x12H	※◎	12 ( 9.5~13.2)	0.75	9.0	19000	19.36	0.55	53.34	2.10	58.0
TRF3828x12VH	※◎	12 ( 9.5~13.2)	1.30	15.6	24000	24.29	0.69	85.30	3.36	66.0
TRF3828x24M	※◎	24 (13.5~26.0)	0.18	4.2	14000	14.08	0.40	28.04	1.10	52.0
TRF3828x24H	※◎	24 (13.5~26.0)	0.38	9.0	19000	19.36	0.55	53.34	2.10	58.0
TRF3828x24VH	※◎	24 (13.5~26.0)	0.55	15.6	24000	24.29	0.69	85.30	3.36	66.0

⊗ Bearing System ※ : Sleeve ★ : WRB ◎ : Ball

★如果您需要的轉速或電壓或功能不在這份清單上，請與我們業務聯繫 Please contact us, if the SPEC you need is not in the list.

★產品詳細數據及功能請參閱承認書 Please see the approval sheet for more information . ★產品規格變更不另行通知 Specifications are subject to change without notice. ■ A12