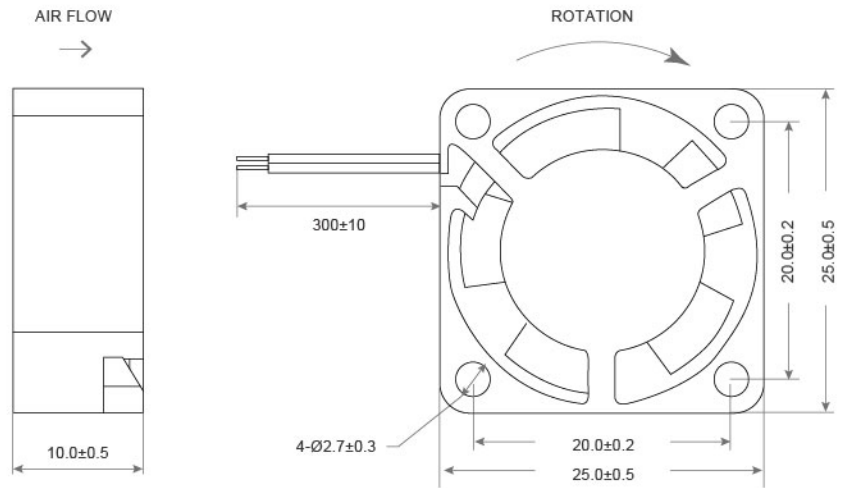


DC Axial Fan TRS2510 SERIES 25X25X10mm

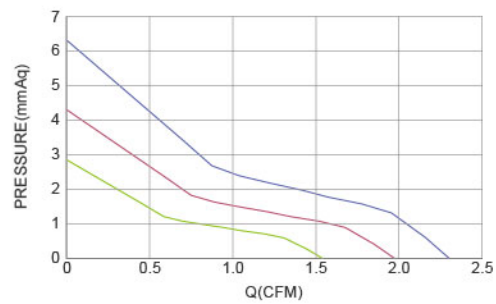


DIMENSIONS DRAWING UNIT : mm



- Frame : Thermoplastic PBT UL94-V0
外框材質：環保防火PBT
- Impeller : Thermoplastic PBT UL94-V0
扇葉材質：環保防火PBT
- Bearing : ※Sleeve · ◎Two Ball Bearing
軸承：※含油 · ◎滾珠軸承
- Unit Weight : 6g
風扇單體重量：6克

P&Q Curve At Rated Voltage



Model No.	Bearing Type	Voltage (VDC)	Current (A)	Power (W)	Speed (RPM)	Air Flow (CFM)	Air Flow (m ³ /min)	Air Pressure (mmH ₂ O)	Air Pressure (Inch H ₂ O)	Noise (dBA)
TRS2510x05D	※◎	5 (4.0~5.5)	0.05	0.25	6000	1.14	0.03	1.56	0.06	18.7
TRS2510x05L	※◎	5 (4.0~5.5)	0.06	0.30	6800	1.29	0.04	2.00	0.08	19.2
TRS2510x05M	※◎	5 (4.0~5.5)	0.07	0.35	8000	1.52	0.04	2.77	0.11	20.0
TRS2510x05H	※◎	5 (4.0~5.5)	0.11	0.55	10000	1.91	0.05	4.33	0.17	21.7
TRS2510x05VH	※◎	5 (4.0~5.5)	0.16	0.80	12000	2.27	0.06	6.24	0.25	24.3
TRS2510x12M	※◎	12 (7.0~14.0)	0.05	0.60	8000	1.52	0.04	2.77	0.11	20.0
TRS2510x12H	※◎	12 (7.0~14.0)	0.06	0.72	10000	1.91	0.05	4.33	0.17	21.7
TRS2510x12VH	※◎	12 (7.0~14.0)	0.07	1.68	12000	2.27	0.06	6.24	0.25	24.3

⊗ Bearing System ※ : Sleeve ★ : WRB ◎ : Ball

★如果您需要的轉速或電壓或功能不在這份清單上，請與我們業務聯繫 Please contact us, if the SPEC you need is not in the list.

★產品詳細數據及功能請參閱承認書 Please see the approval sheet for more information . ★產品規格變更不另行通知 Specifications are subject to change without notice.