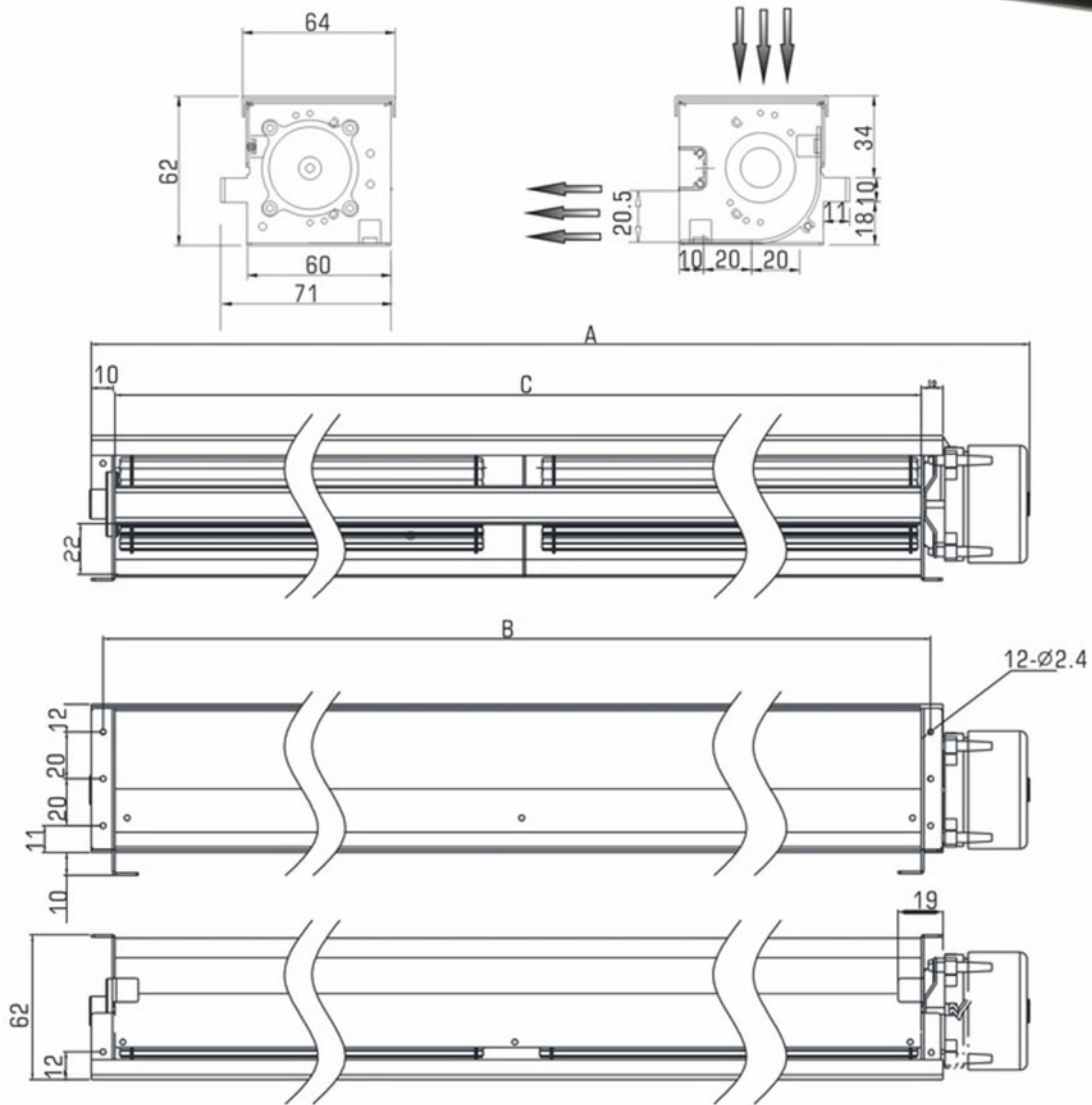


**DC Cross Flow Fan**  
**SCLE40 SERIES**



Model No.	Total Length(A)	Installation Hole Distance(B)	Outlet Length (C)	Rated Voltage (VDC)	Frequency HZ	Current (A)	Power (W)	Numbers of Blower	Speed (RPM)	Air Pressure (pa)	Air Flow (M <sup>3</sup> H)	Noise (dBA)
SCLE40530-DC24	580	540	530	24	-	-	0.24	2	2100	19	150	34
SCLE40610-DC24	670	620	610	24	-	-	0.29	2	2100	19	170	34
SCLE40700-DC24	750	710	700	24	-	-	0.35	2	2100	19	195	35
SCLE40800-DC24	850	810	800	24	-	-	0.39	3	2000	18	220	35
SCLE40854-DC24	904	864	854	24	-	-	0.42	2	2000	18	235	36
SCLE40920-DC24	973	930	920	24	-	-	0.23	3	2000	18	253	37
SCLE401055-DC24	1108	1065	1055	24	-	-	0.27	3	2000	18	290	38