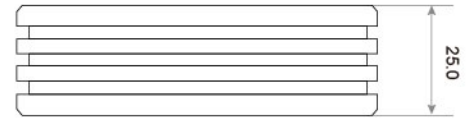
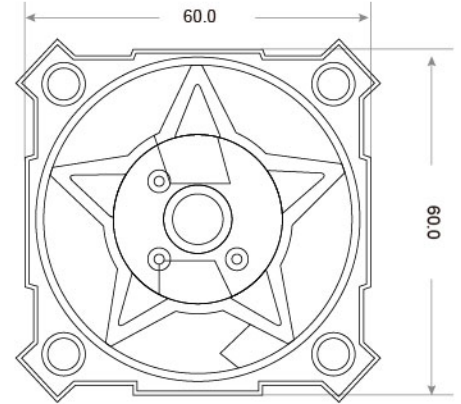


DC METAL FRAME FAN TRS6025 E SERIES 60X60X25mm

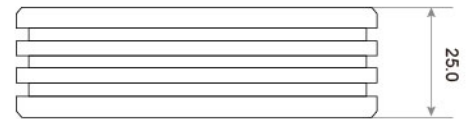
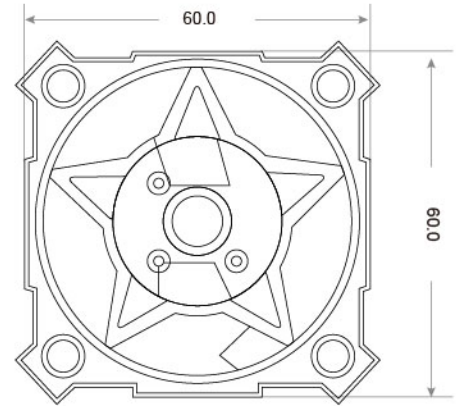
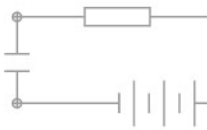


- Frame : Thermoplastic Aluminum alloy
外框材質：環保防火 鋁合金
- Impeller : Thermoplastic PBT UL94-V0
扇葉材質：環保防火PBT
- Bearing System : Sleeve Bearing/WRB Bearing/Two Ball Bearing
軸承結構：※含油軸承/★專利軸承/◎滾珠軸承
- Unit Weight : 62g
風扇單體重量：62克

Model No.	Bearing Type	Voltage (VDC)	Current (A)	Power (W)	Speed (RPM)	Air Flow (CFM)	(m ³ /min)	Air Pressure (mmH ₂ O)	(Inch H ₂ O)	Noise (dBA)
TRS6025x05L	※★◎	5 (3.5~6.8)	0.14	0.70	4300	3.12	0.085	10.85	0.413	32
TRS6025x05M	※★◎	5 (3.5~6.8)	0.19	0.95	5000	3.58	0.095	17.50	0.685	36
TRS6025x05H	※★◎	5 (3.5~6.8)	0.33	1.65	6200	4.29	0.115	21.68	0.836	43
TRS6025x12L	※★◎	12 (6.0~13.5)	0.08	0.96	4300	3.12	0.085	10.85	0.413	32
TRS6025x12M	※★◎	12 (6.0~13.5)	0.13	1.56	5000	3.58	0.095	17.50	0.685	36
TRS6025x12H	※★◎	12 (6.0~13.5)	0.22	2.64	6200	4.29	0.115	21.68	0.836	43
TRS6025x24L	※★◎	24 (18.0~26.5)	0.06	1.44	4300	3.12	0.085	10.68	0.413	32
TRS6025x24M	※★◎	24 (18.0~26.5)	0.06	1.44	5000	3.58	0.095	17.50	0.685	36
TRS6025x24H	※★◎	24 (18.0~26.5)	0.09	2.16	6200	4.29	0.115	21.68	0.836	43

★產品詳細數據及功能請參閱承認書 Product have a detail in the approval sheet.
★產品規格變更不另行通知 Specifications are subject to change without notice.

⊗ Bearing System ※ : Sleeve ★ : WRB Bearing ◎ : Ball



- Frame : Thermoplastic Aluminum alloy
外框材質：環保防火 鋁合金
- Impeller : Thermoplastic PBT UL94-V0
扇葉材質：環保防火PBT
- Bearing System : Sleeve Bearing/WRB Bearing/Two Ball Bearing
軸承結構：※含油軸承/★專利軸承/◎滾珠軸承
- Unit Weight : 62g
風扇單體重量：62克

Model No.	Bearing Type	Voltage (VDC)	Current (A)	Power (W)	Speed (RPM)	Air Flow (CFM)	Air Flow (m ³ /min)	Air Pressure (mmH ₂ O)	Air Pressure (Inch H ₂ O)	Noise (dBA)
TRS6025x12L	※★◎	12 (6.0~13.5)	0.11	1.32	3500	16.60	0.409	4.3	0.167	32.6
TRS6025x12M	※★◎	12 (6.0~13.5)	0.17	2.04	4000	19.20	0.542	6.0	0.234	36.9
TRS6025x12H	※★◎	12 (6.0~13.5)	0.19	2.28	4500	21.70	0.612	7.3	0.285	38.0
TRS6025x12VH	※★◎	12 (6.0~13.5)	0.23	2.76	5000	23.60	0.668	8.7	0.341	41.0
TRS6D25x12SH	※★◎	12 (6.0~13.5)	0.32	3.84	5500	26.10	0.738	10.4	0.407	43.5
TRS6025x12H	※★◎	12 (6.0~13.5)	0.42	5.04	6000	28.00	0.792	11.8	0.464	46.2
TRS6025x24L	※★◎	24 (18.0~26.5)	0.07	1.68	3500	16.60	0.409	4.3	0.167	32.6
TRS6D25x24M	※★◎	24 (18.0~26.5)	0.10	2.40	4000	19.20	0.542	6.0	0.234	36.9
TRS6025x24H	※★◎	24 (18.0~26.5)	0.11	2.64	4500	21.70	0.612	7.3	0.285	38.0
TRS6025x24VH	※★◎	24 (18.0~26.5)	0.12	2.88	5500	23.60	0.668	8.7	0.341	41.0
TRS6025x24SH	※★◎	24 (18.0~26.5)	0.13	3.12	6000	26.10	0.738	10.4	0.407	43.5
TRS6025x24BH	※★◎	24 (18.0~26.5)	0.18	4.32	4000	28.00	0.792	11.8	0.464	46.2
TRS6025x48L	※★◎	48 (36.0~54.0)	0.05	2.40	4000	19.20	0.542	6.0	0.234	36.9
TRS6D25x48M	※★◎	48 (36.0~54.0)	0.06	2.88	4500	21.70	0.612	7.3	0.285	38.0
TRS6025x48H	※★◎	48 (36.0~54.0)	0.07	3.36	5000	23.60	0.668	8.7	0.341	41.0
TRS6025x48VH	※★◎	48 (36.0~54.0)	0.09	4.32	5500	26.10	0.738	10.4	0.407	43.5
TRS6025x48SH	※★◎	48 (36.0~54.0)	0.10	4.80	6000	28.00	0.792	11.8	0.464	46.2

★產品詳細數據及功能請參閱承認書 Product have a detail in the approval sheet.
★產品規格變更不另行通知 Specifications are subject to change without notice.