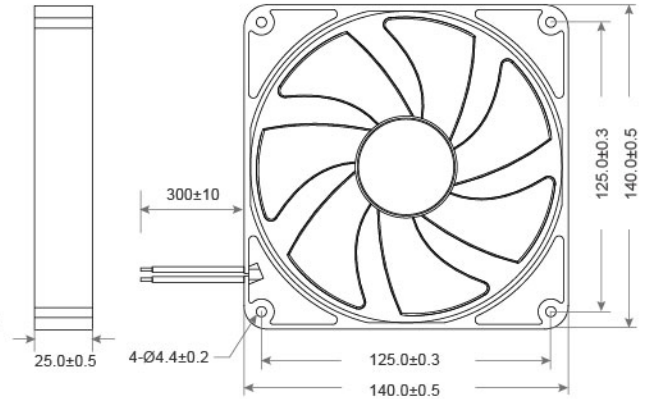
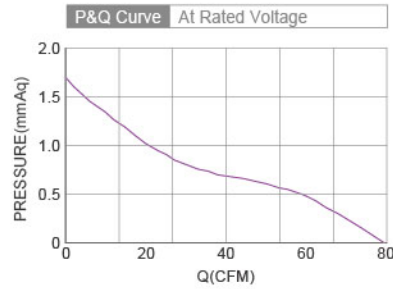


# EC Axial Fan TRT14025 Y SERIES 140X140X25mm

DIMENSIONS DRAWING UNIT : mm

- Material : Thermoplastic PBT UL94-V0  
材質：環保防火PBT
- Bearing System : Sleeve Bearing · Two Ball Bearing  
軸承結構：※含油軸承 · ◎滾珠軸承
- Weight : 166.8g  
風扇單體重量：166.8克



Model No.	Bearing Type	Voltage (VAC)	Frequency (HZ)	Power (W)	Speed (RPM)	Air Flow		Air Pressure		Noise (dBA)
						(CFM)	(m <sup>3</sup> /min)	(mmH <sub>2</sub> O)	(Inch H <sub>2</sub> O)	
TRT14025x11M	※◎	110 ( 85~135)	50 / 60	4.0	1800	76.10	2.16	1.70	0.07	38.8
TRT14025x22M	※◎	220 (180~265)	50 / 60	4.0	1800	76.10	2.16	1.70	0.07	38.8

⊗ Bearing System ※ : Sleeve ★ : WRB ◎ : Ball

★如果您需要的轉速或電壓或功能不在這份清單上，請與我們業務聯繫 If you need another RPM or Voltage or Functions which one is not in the list, please contact us.

■ F15 ★產品詳細數據及功能請參閱承認書 Please see the approval sheet for more information . ★產品規格變更不另行通知 Specifications are subject to change without notice.