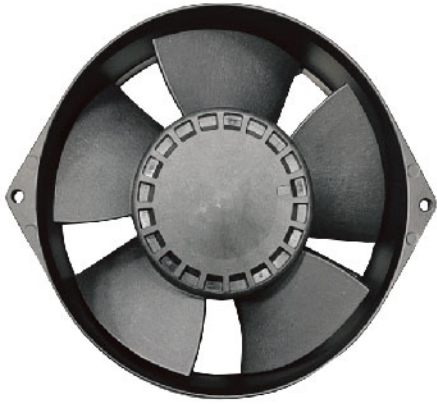


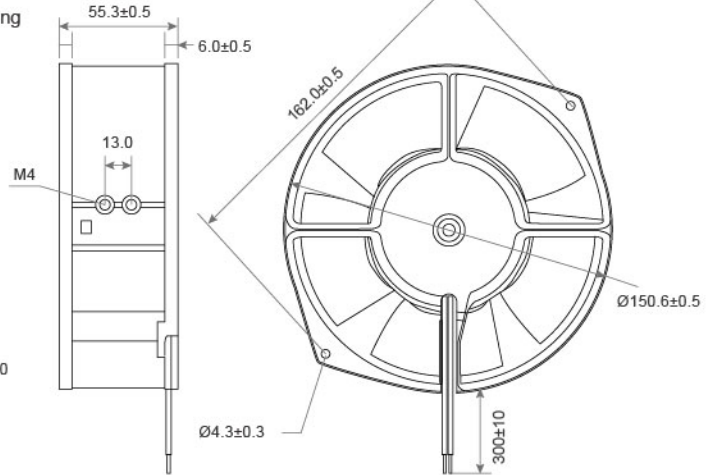
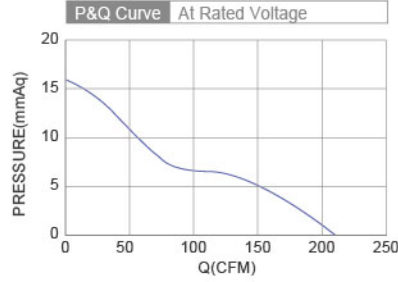
EC Axial Fan

TRT15155 FDA SERIES 172X151X55mm



- Frame : Aluminum
外框材質 : 鋁框
- Impeller : Thermoplastic PBT UL94-V0
扇葉材質 : 環保防火PBT
- Bearing : ※Sleeve · ◎Two Ball Bearing
軸承結構 : ※含油軸承 · ◎滾珠軸承
- Weight : 710g
風扇單體重量 : 710克

DIMENSIONS DRAWING UNIT : mm



Model No.	Bearing Type	Voltage (VAC)	Current (A)	Power (W)	Speed (RPM)	Air Flow (CFM)	Air Flow (m ³ /min)	Air Pressure (mmH ₂ O)	Air Pressure (Inch H ₂ O)	Noise (dBA)
TRT15155x11M	※◎★	110 (90~120)	0.11	12.0	3050	212	6.59	15.75	0.62	53.0
TRT15155x11H	※◎★	110 (90~120)	0.18	20.0	3500	255	7.24	19.81	0.78	53.0
TRT15155x22M	※◎★	220 (190~250)	0.06	12.0	3050	212	6.59	15.75	0.62	53.0
TRT15155x22H	※◎★	220 (190~250)	0.09	20.0	3500	255	7.24	19.81	0.78	53.0

⊗ Bearing System ※ : Sleeve ★ : WRB ◎ : Ball

★如果您需要的轉速或電壓或功能不在這份清單上，請與我們業務聯繫 Please contact us, if the SPEC you need is not in the list.

★產品詳細數據及功能請參閱承認書 Please see the approval sheet for more information . ★產品規格變更不另行通知 Specifications are subject to change without notice. ■ F19