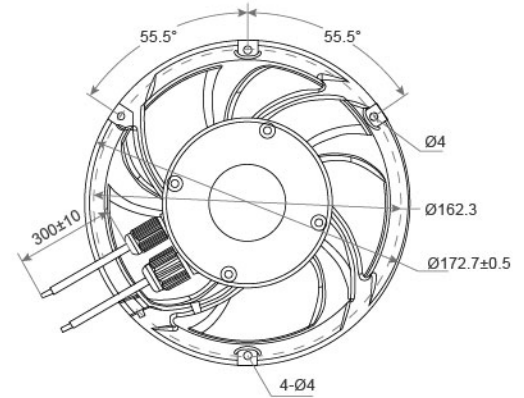
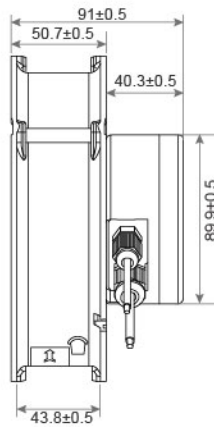
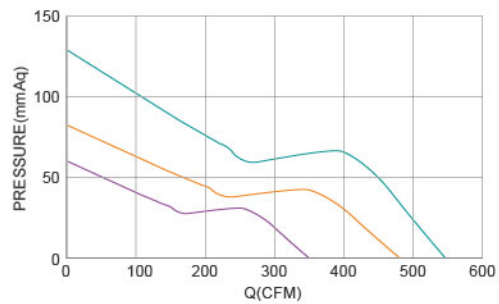


DIMENSIONS DRAWING UNIT : mm



- Frame : Aluminum frame  
外框材質：鋁框
- Impeller : Thermoplastic PBT UL94-V0  
扇葉材質：環保防火PBT
- Bearing : ◎Two Ball Bearing  
軸承：◎滾珠軸承
- Unit Weight : 900g  
風扇單體重量：900克

P&Q Curve At Rated Voltage



Model No.	Bearing Type	Voltage (VAC)	Frequency (Hz)	Power (W)	Speed (RPM)	Air Flow		Air Pressure		Noise (dBA)
						(CFM)	(m <sup>3</sup> /min)	(mmH <sub>2</sub> O)	(Inch H <sub>2</sub> O)	
TRT17Ø51x11M	◎	115 (80~250)	50 / 60	45	5500	353	10.02	61.18	2.41	60.0
TRT17Ø51x11H	◎	115 (80~250)	50 / 60	70	7000	418	11.87	81.58	3.21	69.0
TRT17Ø51x11VH	◎	115 (80~250)	50 / 60	145	9200	545	15.48	114.21	4.49	75.0
TRT17Ø51x22M	◎	220 (80~250)	50 / 60	45	5500	353	10.02	61.18	2.41	60.0
TRT17Ø51x22H	◎	220 (80~250)	50 / 60	70	7000	418	11.87	81.58	3.21	69.0
TRT17Ø51x22VH	◎	220 (80~250)	50 / 60	145	9200	545	15.48	130.52	5.15	75.0

⊗ Bearing System ※ : Sleeve ★ : WRB ◎ : Ball

★如果您需要的轉速或電壓或功能不在這份清單上，請與我們業務聯繫 Please contact us, if the SPEC you need is not in the list.

■ F18 ★產品詳細數據及功能請參閱承認書 Please see the approval sheet for more information . ★產品規格變更不另行通知 Specifications are subject to change without notice.