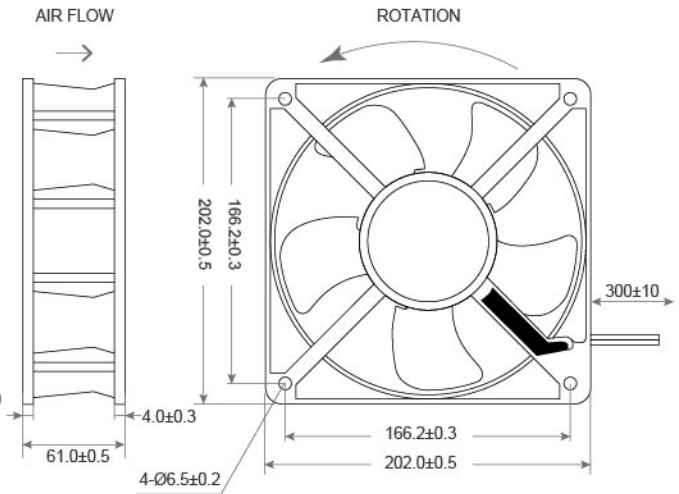
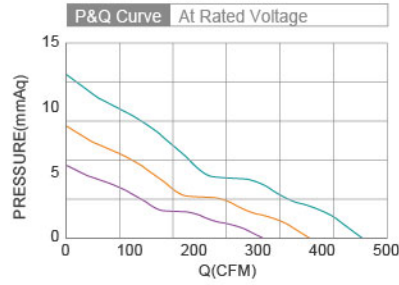


# EC Axial Fan TRT20060 FD SERIES 200X200X60mm



- Frame : Aluminum  
外框材質 : 鋁框
- Impeller : Thermoplastic PBT UL94-V0  
扇葉材質 : 環保防火PBT
- Bearing : ◎Two Ball Bearing  
軸承結構 : ◎滾珠軸承
- Weight : 2400g  
風扇單體重量 : 2400克



Model No.	Bearing Type	Voltage (VAC)	Frequency (HZ)	Power (W)	Speed (RPM)	Air Flow (CFM)	Air Flow (m <sup>3</sup> /min)	Air Pressure (mmH <sub>2</sub> O)	Air Pressure (Inch H <sub>2</sub> O)	Noise (dBA)
TRT20060x11L	◎	110 (100~135)	50/60	15.0	2000	373.0	10.57	8.97	0.35	53.0
TRT20060x11M	◎	110 (100~135)	50/60	35.0	2500	468.0	13.26	14.27	0.56	60.0
TRT20060x11H	◎	110 (100~135)	50/60	45.0	3000	559.0	15.85	20.69	0.82	65.5
TRT20060x22L	◎	220 (200~245)	50/60	15.0	2000	373.0	10.57	8.97	0.35	53.0
TRT20060x22M	◎	220 (200~245)	50/60	35.0	2500	468.0	13.26	14.27	0.56	60.0
TRT20060x22H	◎	220 (200~245)	50/60	45.0	3000	559.0	15.85	20.69	0.82	65.5

⊗ Bearing System ※ : Sleeve ★ : WRB ◎ : Ball

★如果您需要的轉速或電壓或功能不在這份清單上，請與我們業務聯繫 Please contact us, if the SPEC you need is not in the list.

■ F18 ★產品詳細數據及功能請參閱承認書 Please see the approval sheet for more information . ★產品規格變更不另行通知 Specifications are subject to change without notice.