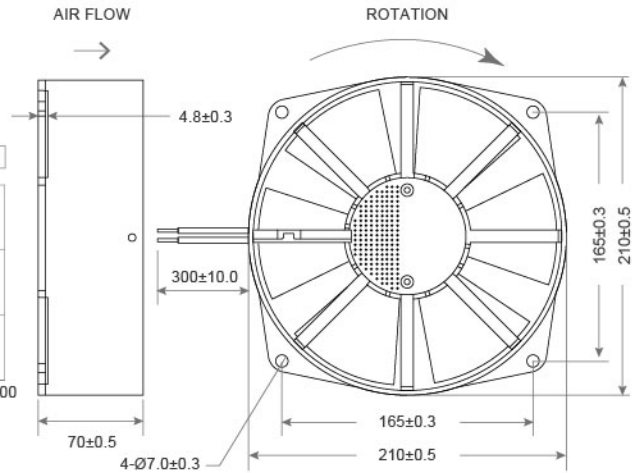
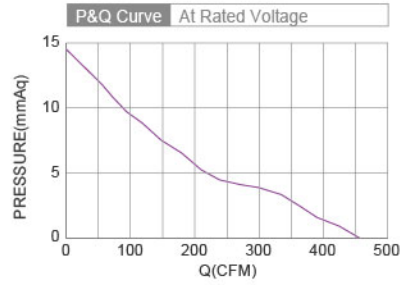


EC Axial Fan TRT20070 SERIES 200X200X70mm



- Material : Thermoplastic PBT UL94-V0
材質：環保防火PBT
- Bearing System : Two Ball Bearing
軸承結構：滾珠軸承
- Weight : 750g
風扇單體重量：750克

DIMENSIONS DRAWING UNIT : mm



Model No.	Bearing Type	Voltage (VAC)	Frequency (HZ)	Power (W)	Speed (RPM)	Air Flow		Air Pressure		Noise (dBA)
						(CFM)	(m ³ /min)	(mmH ₂ O)	(Inch H ₂ O)	
TRT20070Bx11M	◎	110 (80~120)	45~65	28.00	2600	452.47	12.79	14.63	0.58	62.8
TRT20070Bx22M	◎	220 (120~240)	45~65	28.00	2600	452.47	12.79	14.63	0.58	62.8

⊗ Bearing System ※ : Sleeve ★ : WRB ◎ : Ball

★如果您需要的轉速或電壓或功能不在這份清單上，請與我們業務聯繫 If you need another RPM or Voltage or Functions which one is not in the list, please contact us.

■ F20 ★產品詳細數據及功能請參閱承認書 Please see the approval sheet for more information . ★產品規格變更不另行通知 Specifications are subject to change without notice.