



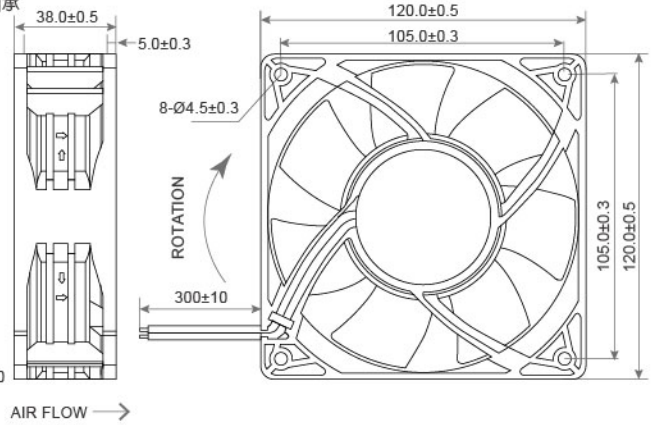
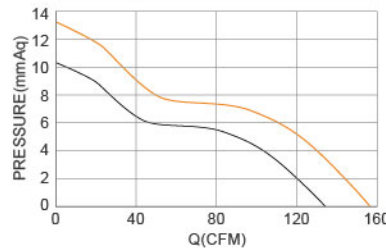
EC Axial Fan TRT12038 FDD1 SERIES 120X120X38mm



- Material : Thermoplastic PBT UL94-V0
材質：環保防火PBT
- Bearing System : ※ Sleeve · ★ WRB · ◎ Two Ball Bearing
軸承結構：※含油 · ★WRB · ◎滾珠軸承
- Weight : 445g
風扇單體重量：445克

DIMENSIONS DRAWING UNIT : mm

P&Q Curve At Rated Voltage

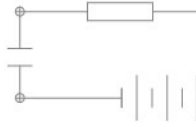


Model No.	Bearing Type	Voltage (VAC)	Frequency (HZ)	Power (W)	Speed (RPM)	Air Flow (CFM)	Air Flow (m ³ /min)	Air Pressure (mmH ₂ O)	Air Pressure (Inch H ₂ O)	Noise (dBA)
TRT12038x22M	※★◎	220 (90~250)	45~65	8.5	3100	131.1	3.72	10.50	0.41	46.5
TRT12038x22H	※★◎	220 (100~240)	45~65	11.5	3600	158.1	4.49	13.23	0.52	52.5

⊗ Bearing System ※ : Sleeve ★ : WRB ◎ : Ball

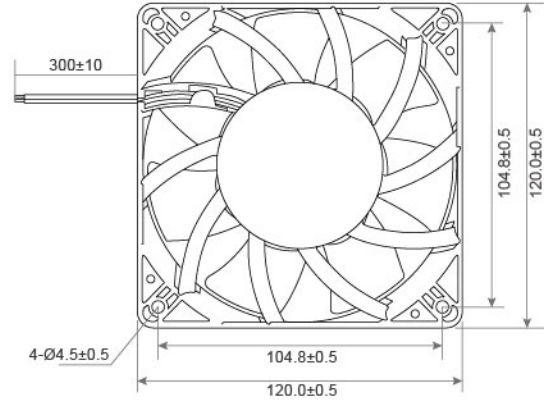
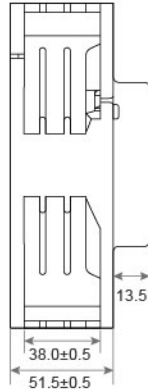
★如果您需要的轉速或電壓或功能不在這份清單上，請與我們業務聯繫 If you need another RPM or Voltage or Functions which one is not in the list, please contact us.

★產品詳細數據及功能請參閱承認書 Please see the approval sheet for more information . ★產品規格變更不另行通知 Specifications are subject to change without notice. ■ F11



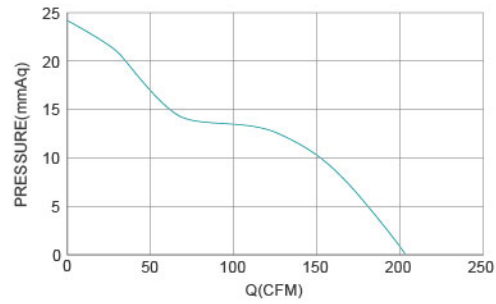
EC Axial Fan TRT12038 FDN SERIES 120X120X38mm

DIMENSIONS DRAWING UNIT : mm



- Frame : Thermoplastic PBT UL94-V0
外框材質 : 環保防火PBT
- Impeller : Thermoplastic PBT UL94-V0
扇葉材質 : 環保防火PBT
- Bearing System : ※ Sleeve · ★WRB · ◎Two Ball Bearing
軸承結構 : ※含油軸承 · ★專利軸承 · ◎滾珠軸承
- Unit Weight : 420g
風扇單體重量 : 420克

P&Q Curve At Rated Voltage

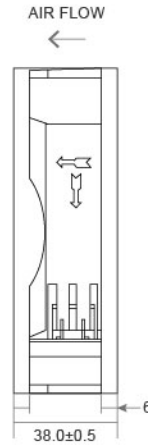
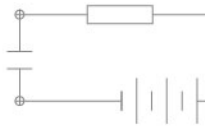


Model No.	Bearing Type	Voltage (VAC)	Frequency (HZ)	Power (W)	Speed (RPM)	Air Flow (CFM)	Air Flow (m ³ /min)	Air Pressure (mmH ₂ O)	Air Pressure (Inch H ₂ O)	Noise (dBA)
TRT12038x11D	※★◎	115 (100~125)	45~65	8.2	3000	131.72	3.740	10.05	0.396	49.5
TRT12038x11L	※★◎	115 (100~125)	45~65	10.2	3600	162.10	4.604	15.00	0.591	52.5
TRT12038x11M	※★◎	115 (100~125)	45~65	13.2	4100	190.48	5.394	22.88	0.896	56.5
TRT12038x11H	※★◎	115 (100~125)	45~65	20.0	4600	212.57	6.019	26.31	1.036	59.5
TRT12038x22D	※★◎	220 (190~240)	45~65	8.2	3000	131.72	3.740	10.05	0.396	49.5
TRT12038x22L	※★◎	220 (190~240)	45~65	10.2	3600	162.10	4.604	15.00	0.591	52.5
TRT12038x22M	※★◎	220 (190~240)	45~65	13.2	4100	190.48	5.394	22.88	0.896	56.5
TRT12038x22H	※★◎	220 (190~240)	45~65	20.0	4600	212.57	6.019	26.31	1.036	59.5

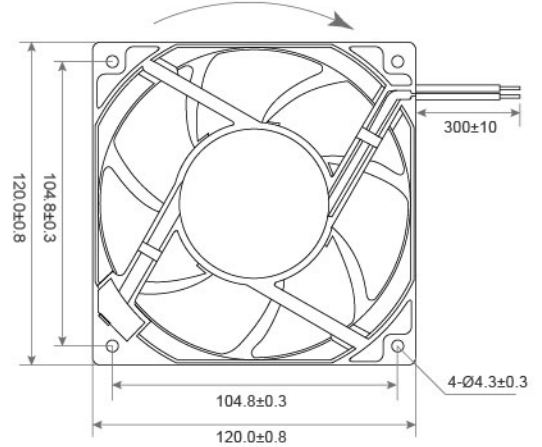
◎ Bearing System ※ : Sleeve ★ : WRB ◎ : Ball

★如果您需要的轉速或電壓或功能不在這份清單上，請與我們業務聯繫 If you need another RPM or Voltage or Functions which one is not in the list, please contact us.

■ F12 ★產品詳細數據及功能請參閱承認書 Please see the approval sheet for more information . ★產品規格變更不另行通知 Specifications are subject to change without notice.

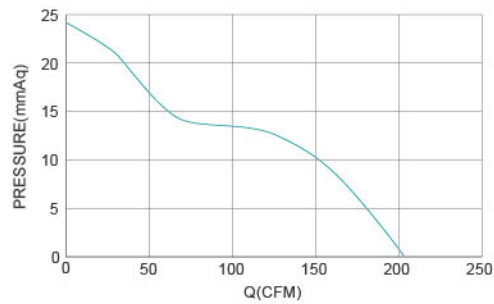


DIMENSIONS DRAWING UNIT : mm



- Frame : Aluminum
外框材質：鋁框
- Impeller : Thermoplastic PBT UL94-V0
扇葉材質：環保防火PBT
- Bearing System : ※ Sleeve · ★ WRB · ◎ Two Ball Bearing
軸承結構：※ 含油軸承 · ★ 專利軸承 · ◎ 滾珠軸承
- Unit Weight : 275g
風扇單體重量：275克

P&Q Curve At Rated Voltage

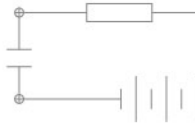


Model No.	Bearing Type	Voltage (VAC)	Frequency (HZ)	Power (W)	Speed (RPM)	Air Flow (CFM)	Air Flow (m ³ /min)	Air Pressure (mmH ₂ O)	Air Pressure (Inch H ₂ O)	Noise (dBA)
TRT12038x12L	※★◎	110~220 (100~245)	45~65	7.5	3000	140.1	3.97	9.65	0.38	45.5
TRT12038x12M	※★◎	110~220 (100~245)	45~65	11.5	3600	158.1	4.49	13.23	0.52	52.5

⊗ Bearing System ※ : Sleeve ★ : WRB ◎ : Ball

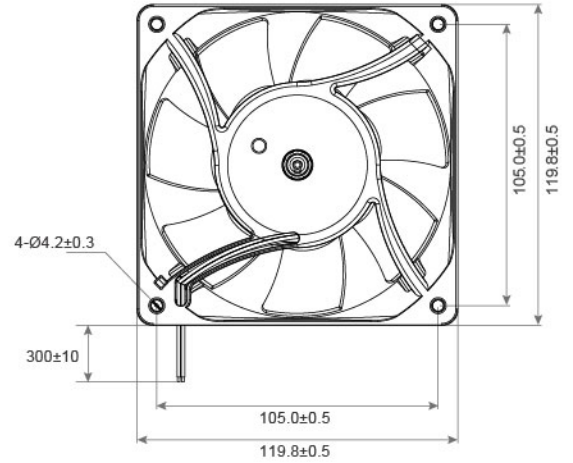
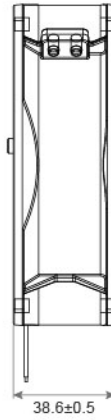
★如果您需要的轉速或電壓或功能不在這份清單上，請與我們業務聯繫 If you need another RPM or Voltage or Functions which one is not in the list, please contact us.

★產品詳細數據及功能請參閱承認書 Please see the approval sheet for more information . ★產品規格變更不另行通知 Specifications are subject to change without notice. ■ F13



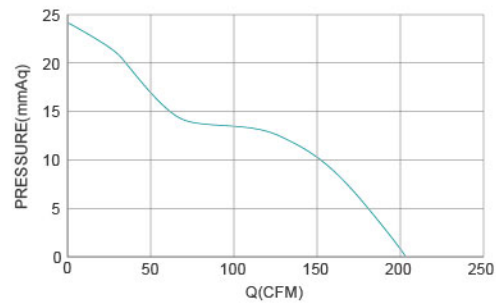
EC Axial Fan TRT12038 FDD3 SERIES 120X120X38mm

DIMENSIONS DRAWING UNIT : mm



- Frame : Aluminum
外框材質：鋁框
- Impeller : Thermoplastic PBT UL94-V0
扇葉材質：環保防火PBT
- Bearing System : ※ Sleeve · ★ WRB · ◎ Two Ball Bearing
軸承結構：※ 含油軸承 · ★ 專利軸承 · ◎ 滾珠軸承
- Unit Weight : 330g
風扇單體重量：330克

P&Q Curve At Rated Voltage



Model No.	Bearing Type	Voltage (VAC)	Frequency (HZ)	Power (W)	Speed (RPM)	Air Flow (CFM)	Air Flow (m ³ /min)	Air Pressure (mmH ₂ O)	Air Pressure (Inch H ₂ O)	Noise (dBA)
TRT12038x11D	※★◎	110 (100~125)	45~65	8.2	3000	131.72	3.740	10.05	0.396	49.5
TRT12038x11L	※★◎	110 (100~125)	45~65	10.2	3600	162.10	4.604	15.00	0.591	52.5
TRT12038x11M	※★◎	110 (100~125)	45~65	13.2	4100	190.48	5.394	22.88	0.896	56.5
TRT12038x11H	※★◎	110 (100~125)	45~65	20.0	4300	205.10	5.820	23.49	0.925	57.5
TRT12038x22D	※★◎	220 (190~240)	45~65	8.2	3000	131.72	3.740	10.05	0.396	49.5
TRT12038x22L	※★◎	220 (190~240)	45~65	10.2	3600	162.10	4.604	15.00	0.591	52.5
TRT12038x22M	※★◎	220 (190~240)	45~65	13.2	4100	190.48	5.394	22.88	0.896	56.5
TRT12038x22H	※★◎	220 (190~240)	45~65	20.0	4300	205.10	5.820	23.49	0.925	57.5

◎ Bearing System ※ : Sleeve ★ : WRB ◎ : Ball

★如果您需要的轉速或電壓或功能不在這份清單上，請與我們業務聯繫 If you need another RPM or Voltage or Functions which one is not in the list, please contact us.

■ F14 ★產品詳細數據及功能請參閱承認書 Please see the approval sheet for more information . ★產品規格變更不另行通知 Specifications are subject to change without notice.