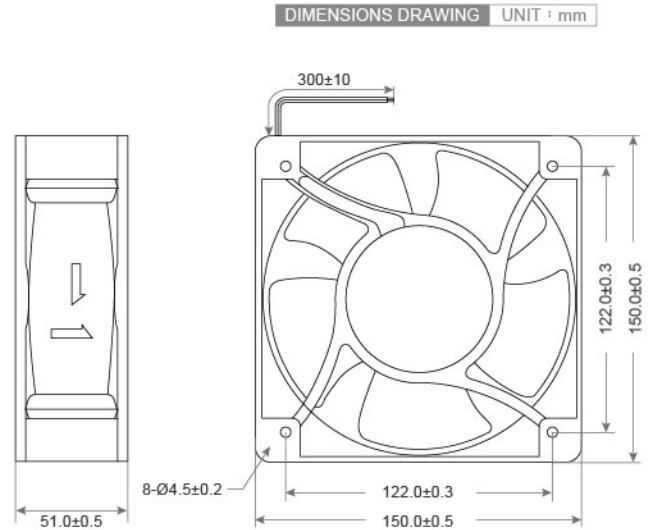
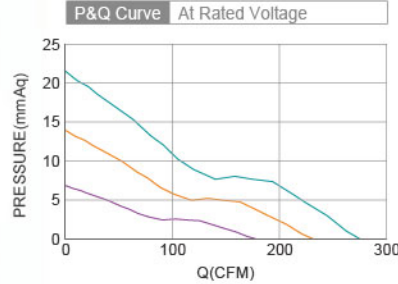


**EC Axial Fan**

**TRT15051 FDB SERIES 150X150X51mm**



- Frame : Aluminum  
外框材質 : 鋁框
- Impeller : Thermoplastic PBT UL94-V0  
扇葉材質 : 環保防火PBT
- Bearing : ◎Two Ball Bearing  
軸承結構 : ◎滾珠軸承
- Weight : 700g  
風扇單體重量 : 700克



Model No.	Bearing Type	Voltage (VAC)	Frequency (HZ)	Power (W)	Speed (RPM)	Air Flow (CFM)	Air Flow (m <sup>3</sup> /min)	Air Pressure (mmH <sub>2</sub> O)	Air Pressure (Inch H <sub>2</sub> O)	Noise (dBA)
TRT15051x12D	◎	110~220 (80~250)	45~65	6.0	2000	148.0	4.2	6.88	0.27	41.5
TRT15051x12L	◎	110~220 (80~250)	45~65	8.4	2500	180.0	5.1	9.65	0.38	47.0
TRT15051x12M	◎	110~220 (80~250)	45~65	14.4	3050	226.0	6.4	13.99	0.55	52.0
TRT15051x12H	◎	110~220 (80~250)	45~65	27.6	3800	282.0	8.0	21.34	0.84	60.0

⊗ Bearing System ※ : Sleeve ★ : WRB ◎ : Ball

★如果您需要的轉速或電壓或功能不在這份清單上，請與我們業務聯繫 If you need another RPM or Voltage or Functions which one is not in the list, please contact us.

★產品詳細數據及功能請參閱承認書 Please see the approval sheet for more information . ★產品規格變更不另行通知 Specifications are subject to change without notice. ■ F15