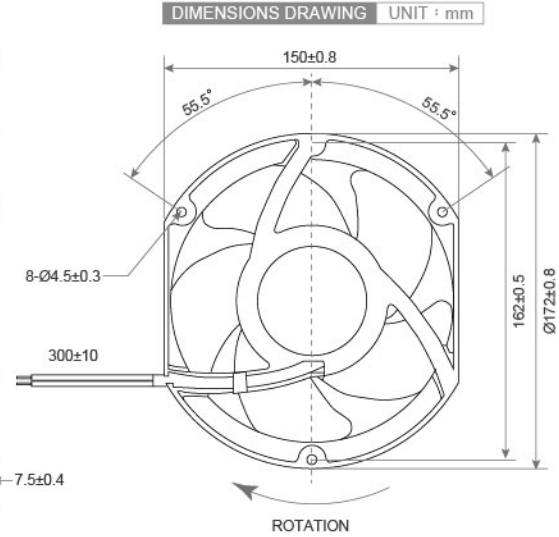
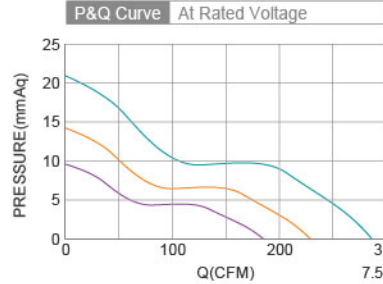


## EC Axial Fan TRT17251 FD SERIES 172X150X51mm



- Frame : Aluminum  
外框材質：鋁框
- Impeller : Thermoplastic PBT UL94-V0  
扇葉材質：環保防火PBT
- Bearing : ※ Sleeve · ◎ Two Ball Bearing  
軸承結構：※ 含油軸承 · ◎ 滾珠軸承
- Weight : 817g  
風扇單體重量：817克

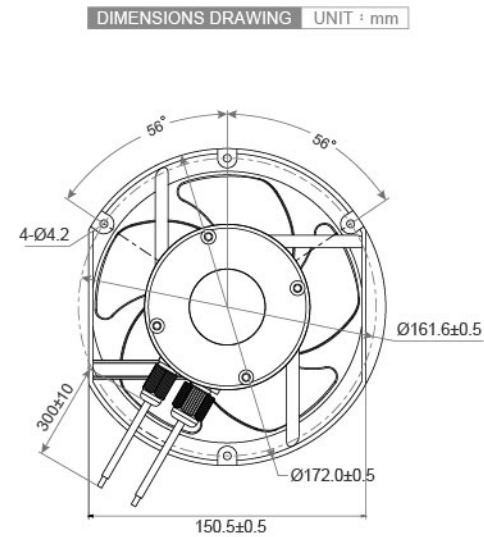
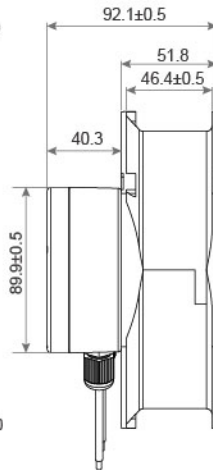
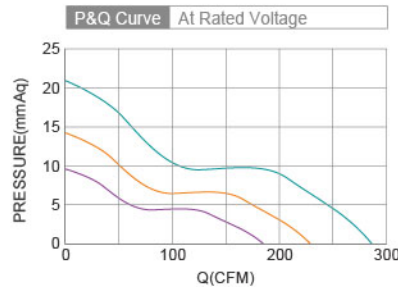


Model No.	Bearing Type	Voltage (VAC)	Current (A)	Power (W)	Speed (RPM)	Air Flow (CFM)	Air Flow (m <sup>3</sup> /min)	Air Pressure (mmH <sub>2</sub> O)	Air Pressure (Inch H <sub>2</sub> O)	Noise (dBA)
TRT17251xE12D	◎	110/220 (80~250)	0.027	6.0	2000	148.0	4.2	6.88	0.27	41.5
TRT17251xE12L	◎	110/220 (80~250)	0.038	8.4	2500	180.0	5.1	9.65	0.38	47.0
TRT17251xE12M	◎	110/220 (80~250)	0.065	14.4	3050	226.0	6.4	13.99	0.55	52.0
TRT17251xE12H	◎	110/220 (80~250)	0.125	27.6	3800	282.0	8.0	21.34	0.84	60.0

## EC Axial Fan TRT17251 FDB1 SERIES 172X150X51mm



- Frame : Aluminum  
外框材質：鋁框
- Impeller : Thermoplastic PBT UL94-V0  
扇葉材質：環保防火PBT
- Bearing : ◎ Two Ball Bearing  
軸承結構：◎ 滾珠軸承
- Weight : 880g  
風扇單體重量：880克



Model No.	Bearing Type	Voltage (VAC)	Frequency (HZ)	Power (W)	Speed (RPM)	Air Flow (CFM)	Air Flow (m <sup>3</sup> /min)	Air Pressure (mmH <sub>2</sub> O)	Air Pressure (Inch H <sub>2</sub> O)	Noise (dBA)
TRT17251xE12D	◎	110/220 (80~250)	50 / 60	80	6500	400.0	11.36	78.48	3.09	72.5
TRT17251xE12L	◎	110/220 (80~250)	50 / 60	140	8500	546.9	15.46	102.11	4.02	78.5
TRT17251xE12M	◎	110/220 (80~250)	50 / 60	80	6500	400.0	11.36	78.48	3.09	72.5
TRT17251xE12H	◎	110/220 (80~250)	50 / 60	140	8500	566.9	16.10	102.11	4.02	78.5

⊗ Bearing System ※ : Sleeve ★ : WRB ◎ : Ball

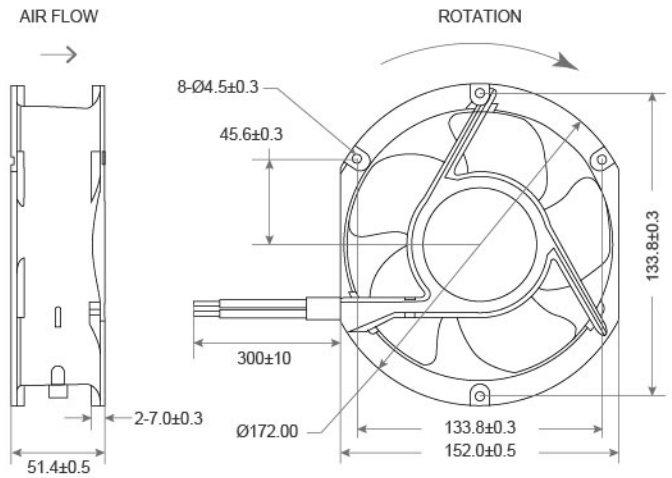
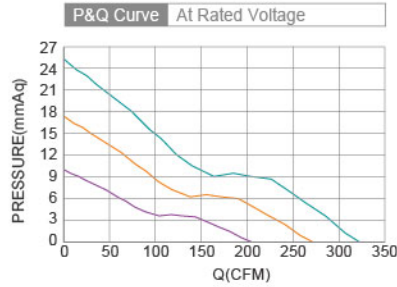
★如果您需要的轉速或電壓或功能不在這份清單上，請與我們業務聯繫 If you need another RPM or Voltage or Functions which one is not in the list, please contact us.

★產品詳細數據及功能請參閱承認書 Please see the approval sheet for more information . ★產品規格變更不另行通知 Specifications are subject to change without notice. F15

# EC Axial Fan TRT17251 SERIES 172X150X51mm



- Frame : Aluminum  
外框材質：鋁框
- Impeller : Thermoplastic PBT UL94-V0  
扇葉材質：環保防火PBT
- Bearing : ◎Two Ball Bearing  
軸承結構：◎滾珠軸承
- Weight : 720g  
風扇單體重量：720克



Model No.	Bearing Type	Voltage (VAC)	Frequency (HZ)	Power (W)	Speed (RPM)	Air Flow (CFM)	Air Flow (m <sup>3</sup> /min)	Air Pressure (mmH <sub>2</sub> O)	Air Pressure (Inch H <sub>2</sub> O)	Noise (dBA)
TRT17251x11L	◎	110 ( 80~120)	45~65	13.00	2600	202.24	5.72	9.78	0.39	49.20
TRT17251x11M	◎	110 ( 80~120)	45~65	20.00	3500	269.65	7.63	17.38	0.68	56.90
TRT17251x11H	◎	110 ( 80~120)	45~65	32.00	4200	322.10	9.11	24.79	0.98	61.70
TRT17251x22L	◎	220 (120~240)	45~65	13.00	2600	202.24	5.72	9.78	0.39	49.20
TRT17251x22M	◎	220 (120~240)	45~65	20.00	3500	269.65	7.63	17.38	0.68	56.90
TRT17251x22H	◎	220 (120~240)	45~65	32.00	4200	322.10	9.11	24.79	0.98	61.70

⊗ Bearing System ※ : Sleeve ★ : WRB ◎ : Ball

★如果您需要的轉速或電壓或功能不在這份清單上，請與我們業務聯繫 If you need another RPM or Voltage or Functions which one is not in the list, please contact us.

★產品詳細數據及功能請參閱承認書 Please see the approval sheet for more information . ★產品規格變更不另行通知 Specifications are subject to change without notice. ■ F17