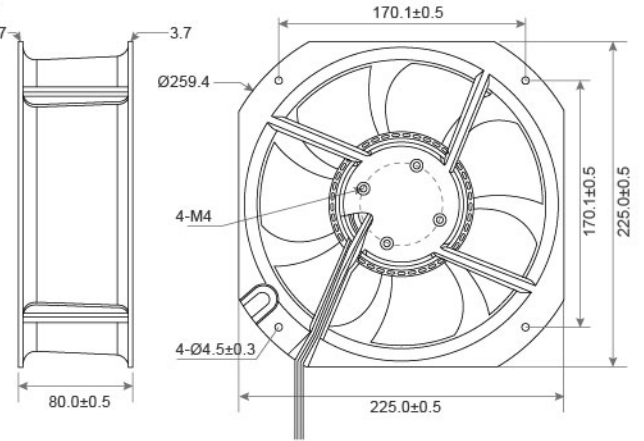
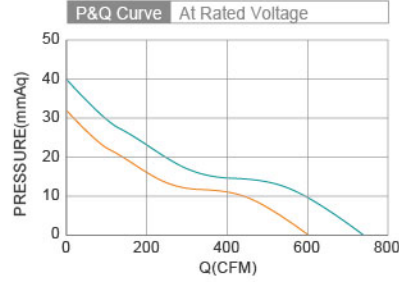


EC Axial Fan TRT22580 FD SERIES 225X225X80mm



- Frame : Aluminum
外框材質 : 鋁框
- Impeller : Thermoplastic PBT UL94-V0
扇葉材質 : 環保防火PBT
- Bearing : ※ Sleeve · ◎ Two Ball Bearing
軸承結構 : ※ 含油軸承 · ◎ 滾珠軸承
- Weight : 2100g
風扇單體重量 : 2100克

DIMENSIONS DRAWING UNIT : mm



Model No.	Bearing Type	Voltage (VAC)	Frequency (HZ)	Power (W)	Speed (RPM)	Air Flow (CFM)	Air Flow (m ³ /min)	Air Pressure (mmH ₂ O)	Air Pressure (Inch H ₂ O)	Noise (dBA)
TRT22580x12M	◎	110~220 (90~245)	50/60	60.0	3000	595.0	16.89	32.50	1.28	60.0
TRT22580x12H	◎	110~220 (90~245)	50/60	95.0	4000	745.0	21.15	40.60	1.60	64.0

⊗ Bearing System ※ : Sleeve ★ : WRB ◎ : Ball

★如果您需要的轉速或電壓或功能不在這份清單上，請與我們業務聯繫 Please contact us, if the SPEC you need is not in the list.

★產品詳細數據及功能請參閱承認書 Please see the approval sheet for more information . ★產品規格變更不另行通知 Specifications are subject to change without notice. ■ F21