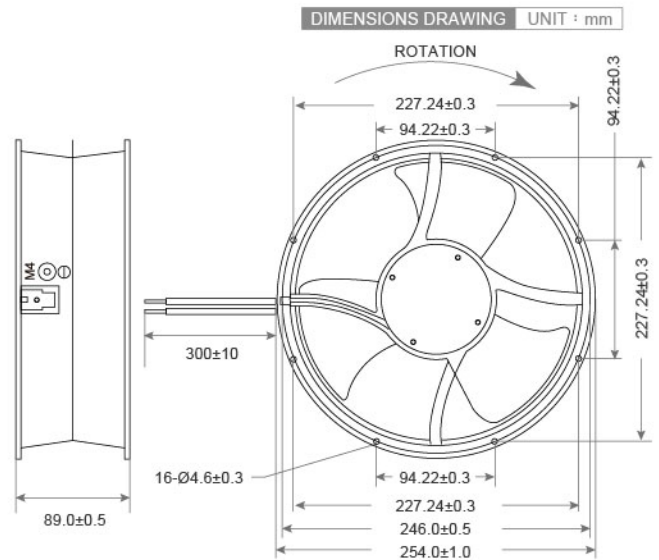
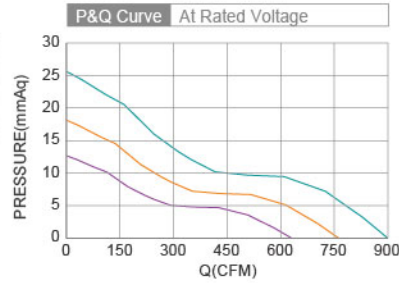


EC Axial Fan TRT25489 SERIES 254X89mm



- Frame : Aluminum
外框材質：鋁框
- Impeller : Thermoplastic PBT UL94-V0
扇葉材質：環保防火PBT
- Bearing : ◎Two Ball Bearing
軸承結構：◎滾珠軸承
- Weight : 2410g
風扇單體重量：2410克



Model No.	Bearing Type	Voltage (VAC)	Frequency (HZ)	Power (W)	Speed (RPM)	Air Flow (CFM)	Air Flow (m ³ /min)	Air Pressure (mmH ₂ O)	Air Pressure (Inch H ₂ O)	Noise (dBA)
TRT25489x11D	◎	110(80~135)	45~65	28.00	1800	626.26	17.72	12.65	0.50	57.00
TRT25489x11L	◎	110(80~135)	45~65	39.00	2200	758.11	21.45	18.54	0.73	61.20
TRT25489x11M	◎	110(80~135)	45~65	68.00	2600	899.96	25.46	25.55	1.01	65.80
TRT25489x22D	◎	220(180~265)	45~65	28.00	1800	626.26	17.72	12.65	0.50	57.00
TRT25489x22L	◎	220(180~265)	45~65	39.00	2200	758.11	21.45	18.54	0.73	61.20
TRT25489x22M	◎	220(180~265)	45~65	68.00	2600	899.96	25.46	25.55	1.01	65.80

⊗ Bearing System ※ : Sleeve ★ : WRB ◎ : Ball

★如果您需要的轉速或電壓或功能不在這份清單上，請與我們業務聯繫 If you need another RPM or Voltage or Functions which one is not in the list, please contact us.

■ F22 ★產品詳細數據及功能請參閱承認書 Please see the approval sheet for more information . ★產品規格變更不另行通知 Specifications are subject to change without notice.