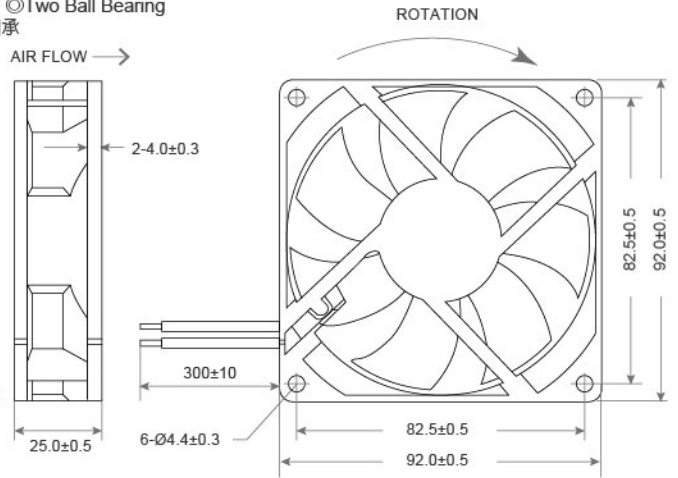
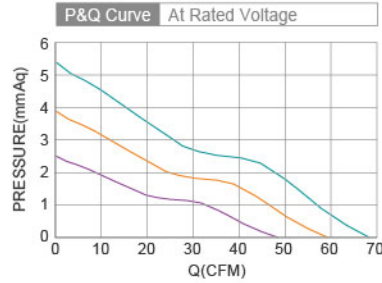


EC Axial Fan TRT9225 SERIES 92X92X25mm

- Material : Thermoplastic PBT UL94-V0
材質：環保防火PBT
- Bearing System : ※Sleeve · ★WRB · ◎Two Ball Bearing
軸承結構：※含油 · ★WRB · ◎滾珠軸承
- Weight : 78g
風扇單體重量：78克

DIMENSIONS DRAWING UNIT : mm

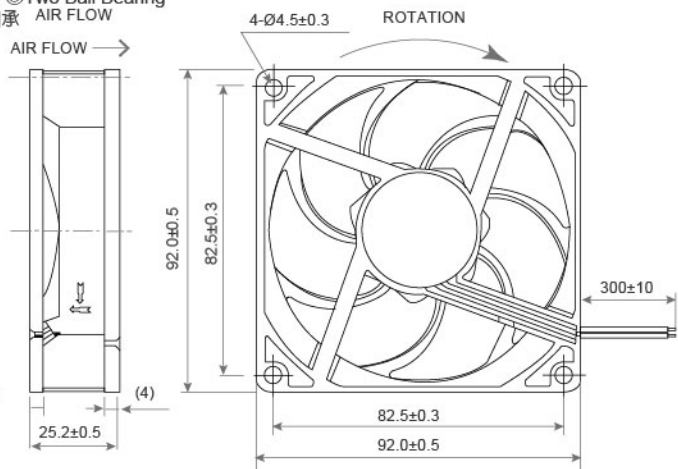
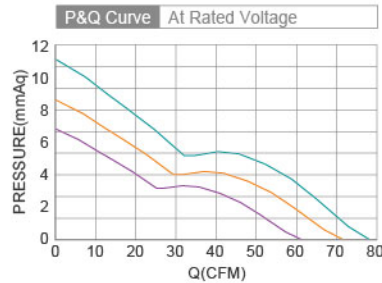


Model No.	Bearing Type	Voltage (VAC)	Frequency (HZ)	Power (W)	Speed (RPM)	Air Flow (CFM)	Air Flow (m ³ /min)	Air Pressure (mmH ₂ O)	Air Pressure (Inch H ₂ O)	Noise (dBA)
TRT9225x11D	※★◎	110(80~120)	45~65	3.20	2400	46.60	1.32	2.50	0.10	32.70
TRT9225x11L	※★◎	110(80~120)	45~65	4.00	3000	57.79	1.64	3.84	0.15	37.40
TRT9225x11M	※★◎	110(80~120)	45~65	4.40	3600	68.97	1.95	5.45	0.21	42.80
TRT9225x22D	※★◎	220(120~240)	45~65	3.20	2400	46.60	1.32	2.50	0.10	32.70
TRT9225x22L	※★◎	220(120~240)	45~65	4.00	3000	57.79	1.64	3.84	0.15	37.40
TRT9225x22M	※★◎	220(120~240)	45~65	4.40	3600	68.97	1.95	5.45	0.21	42.80

EC Axial Fan TRT9225 FDA SERIES 92X92X25mm

- Material : Thermoplastic PBT UL94-V0
材質：環保防火PBT
- Bearing System : ※Sleeve · ★WRB · ◎Two Ball Bearing
軸承結構：※含油 · ★WRB · ◎滾珠軸承
- Weight : 120g
風扇單體重量：120克

DIMENSIONS DRAWING UNIT : mm



Model No.	Bearing Type	Voltage (VAC)	Frequency (HZ)	Power (W)	Speed (RPM)	Air Flow (CFM)	Air Flow (m ³ /min)	Air Pressure (mmH ₂ O)	Air Pressure (Inch H ₂ O)	Noise (dBA)
TRT9225x11M	※★◎	110 (90~130)	45~65	2.4	3800	59.0	1.67	6.18	0.24	35.0
TRT9225x11H	※★◎	110 (90~130)	45~65	3.6	4400	68.2	1.93	8.26	0.33	39.0
TRT9225x11VH	※★◎	110 (90~130)	45~65	4.8	5000	77.7	2.20	10.70	0.42	43.0
TRT9225x22M	※★◎	220 (190~245)	45~65	2.4	3800	59.0	1.67	6.18	0.24	35.0
TRT9225x22H	※★◎	220 (190~245)	45~65	3.6	4400	68.2	1.93	8.26	0.33	39.0
TRT9225x22VH	※★◎	220 (190~245)	45~65	4.8	5000	77.7	2.20	10.70	0.42	43.0

⊗ Bearing System ※ : Sleeve ★ : WRB ◎ : Ball

★如果您需要的轉速或電壓或功能不在這份清單上，請與我們業務聯繫 If you need another RPM or Voltage or Functions which one is not in the list, please contact us.

★產品詳細數據及功能請參閱承認書 Please see the approval sheet for more information . ★產品規格變更不另行通知 Specifications are subject to change without notice.