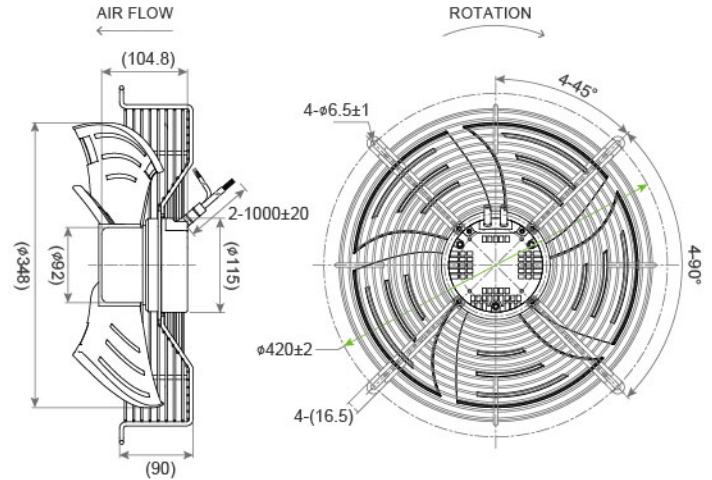
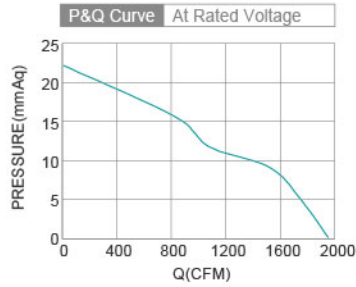


# EC Outer Rotor Fan SAA3P350-EC092 SERIES Ø350X104.8mm

- Impeller : Cold rolled steel  
材質：冷軋鋼板
- Bearing System : Two Ball Bearing  
軸承結構：滾珠軸承
- Protection Class : IP44  
防護等級：IP44

DIMENSIONS DRAWING UNIT : mm



Model No.	Bearing Type	Voltage (VAC)	Frequency (Hz)	Current (A)	Power (W)	Speed (RPM)	Air Flow (CFM)	Air Flow (m <sup>3</sup> /min)	Air Pressure (mmH <sub>2</sub> O)	Air Pressure (Inch H <sub>2</sub> O)	Noise (dBA)
SAA3P350-EC092	◎	220 (200~277)	50 / 60	1.13	165	1550	1940.4	55.11	22.43	0.88	67.0