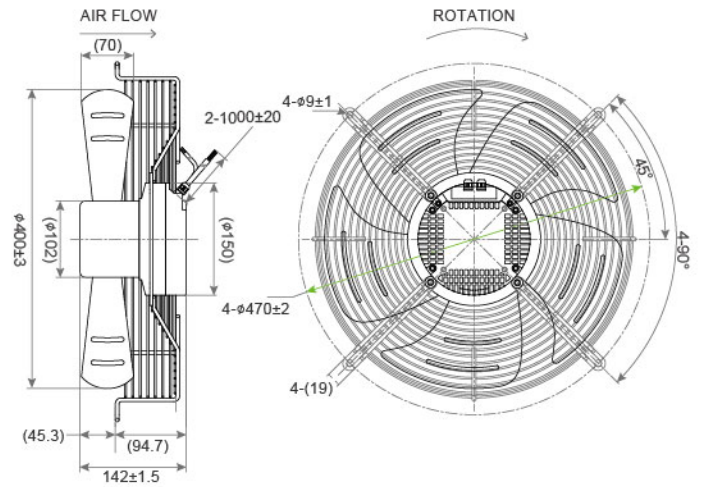
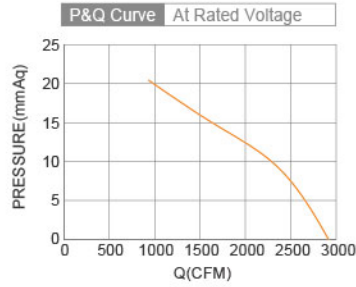


EC Outer Rotor Fan SAA3P400-EC102 SERIES Ø400X142mm

- Impeller : Cold rolled steel
材質：冷軋鋼板
- Bearing System : Two Ball Bearing
軸承結構：滾珠軸承
- Protection Class : IP44
防護等級：IP44

DIMENSIONS DRAWING UNIT : mm



Model No.	Bearing Type	Voltage (VAC)	Frequency (Hz)	Current (A)	Power (W)	Speed (RPM)	Air Flow (CFM)	Air Flow (m ³ /min)	Air Pressure (mmH ₂ O)	Air Pressure (Inch H ₂ O)	Noise (dBA)
SAA3P400-EC102-A2	◎	220 (200~277)	50 / 60	1.8	400	1600	2834.2	80.50	20.29	0.80	69.0