

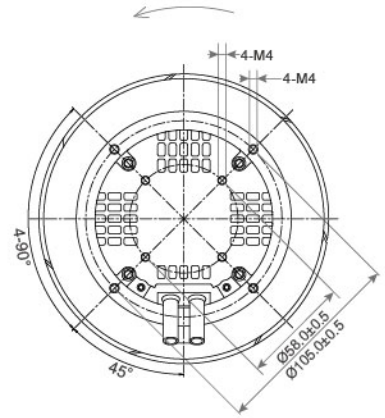
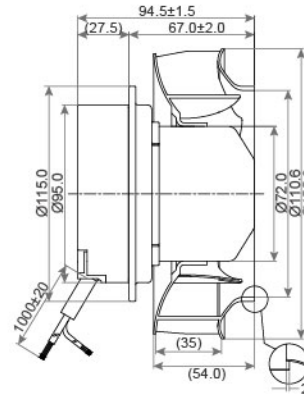
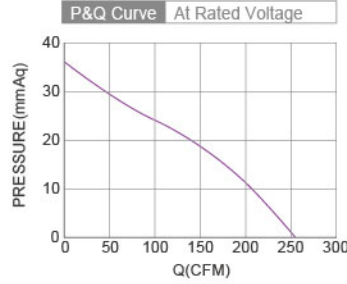


EC Centrifugal Fan SAB3P155-EC072 SERIES Ø155X95mm



- Material : Plastic PA66
材質 : PA66
- Bearing System : Two Ball Bearing
軸承結構 : 滾珠軸承
- Protection Class : IP44
防護等級 : IP44
- Unit Weight : 2000g
風扇單體重量 : 2000克

DIMENSIONS DRAWING UNIT : mm



Model No.	Bearing Type	Voltage (VAC)	Frequency (Hz)	Current (A)	Power (W)	Speed (RPM)	Air Flow (CFM)	Air Flow (m³/h)	Air Pressure (mmH ₂ O)	Air Pressure (Inch H ₂ O)	Noise (dBA)
SAB3P155-EC072-A2	◎	380 (320~460)	50/60	0.3	40	3570	252.8	430.0	36.7	1.45	63.0

⊗ Bearing System ※ : Sleeve ★ : WRB ◎ : Ball

★如果您需要的轉速或電壓或功能不在這份清單上，請與我們業務聯繫 Please contact us, if the SPEC you need is not in the list.

★產品詳細數據及功能請參閱承認書 Please see the approval sheet for more information . ★產品規格變更不另行通知 Specifications are subject to change without notice.