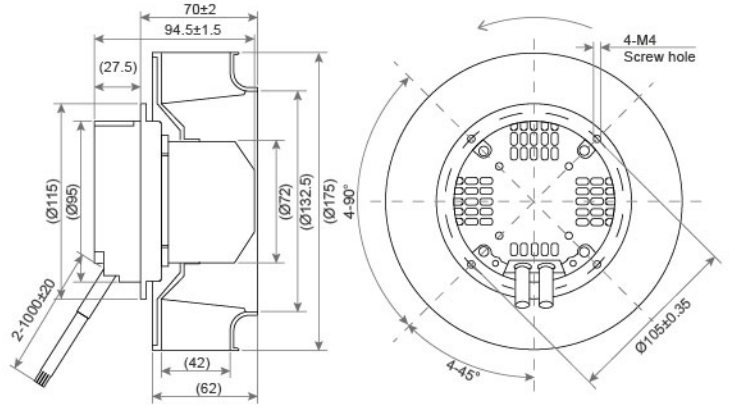
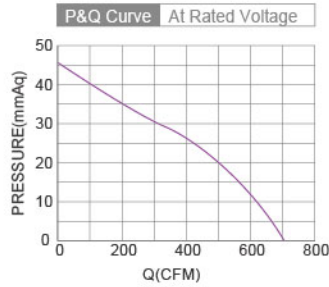


# EC Centrifugal Fan SAB3P175-EC072 SERIES Ø175X95mm



- Material : Plastic PA66  
材質 : PA66
- Bearing System : Two Ball Bearing  
軸承結構 : 滾珠軸承
- Protection Class : IP44  
防護等級 : IP44
- Unit Weight : 1300g  
風扇單體重量 : 1300克

DIMENSIONS DRAWING UNIT : mm



Model No.	Bearing Type	Voltage (VAC)	Frequency (Hz)	Power (W)	Speed (RPM)	Air Flow (CFM)	Air Flow (CMH)	Air Pressure (mmH <sub>2</sub> O)	Air Pressure (Inch H <sub>2</sub> O)	Noise (dBA)
SAB3P175-EC072-A2	◎	220	50/60	80	3750	395	672	50.8	2.0	74.0

⊗ Bearing System ※ : Sleeve ★ : WRB ◎ : Ball

★如果您需要的轉速或電壓或功能不在這份清單上，請與我們業務聯繫 If you need another RPM or Voltage or Functions which one is not in the list, please contact us.

★產品詳細數據及功能請參閱承認書 Please see the approval sheet for more information . ★產品規格變更不另行通知 Specifications are subject to change without notice.