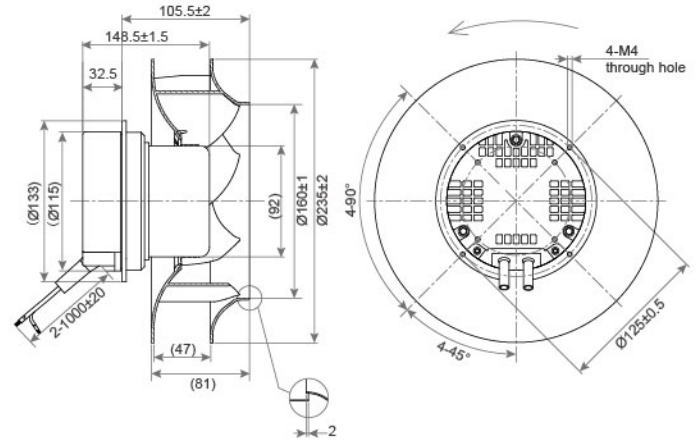
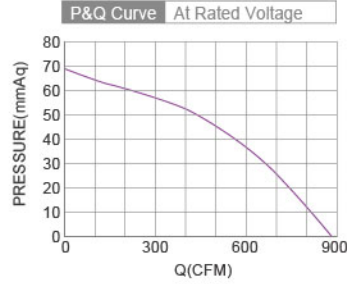


EC Centrifugal Fan SAB3P225-EC092 SERIES Ø225X106mm

- Material : Plastic PA66
材質 : PA66
- Bearing System : Two Ball Bearing
軸承結構 : 滾珠軸承
- Protection Class : IP44
防護等級 : IP44
- Unit Weight : 1500g
風扇單體重量 : 1500克

DIMENSIONS DRAWING UNIT : mm



Model No.	Bearing Type	Voltage (VAC)	Frequency (Hz)	Power (W)	Speed (RPM)	Air Flow (CFM)	Air Flow (m³/h)	Air Pressure (mmH ₂ O)	Air Pressure (Inch H ₂ O)	Noise (dBA)
SAB3P225-EC092-A2	◎	220 (200~277)	50/60	130	3000	882	1500	68.83	2.71	69.0

⊗ Bearing System ※ : Sleeve ★ : WRB ◎ : Ball

★如果您需要的轉速或電壓或功能不在這份清單上，請與我們業務聯繫 If you need another RPM or Voltage or Functions which one is not in the list, please contact us.

★產品詳細數據及功能請參閱承認書 Please see the approval sheet for more information . ★產品規格變更不另行通知 Specifications are subject to change without notice.