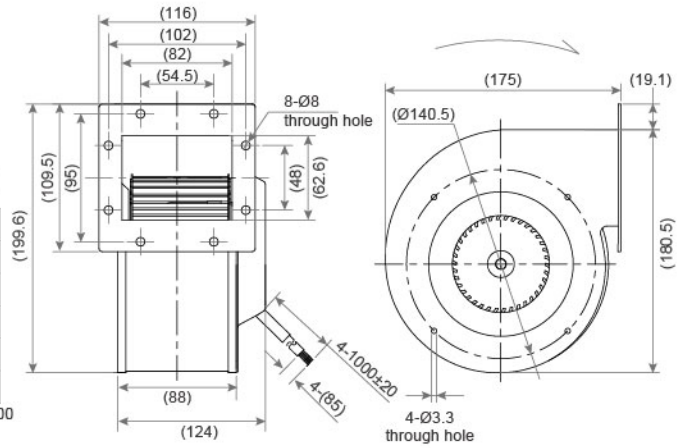
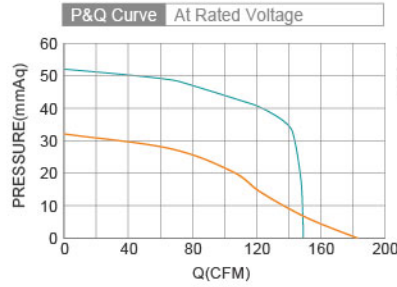


EC Forward Centrifugal Fan SAF3P133-EC072 SERIES 175X181X88mm

- Impeller : PA66
材質：塑料PA66
- Bearing System : Two Ball Bearing
軸承結構：滾珠軸承
- Protection Class : IP44
防護等級：IP44

DIMENSIONS DRAWING UNIT : mm



Model No.	Bearing Type	Voltage (VAC)	Frequency (Hz)	Power (W)	Speed (RPM)	Air Flow		Air Pressure		Noise (dBA)
						(CFM)	(CMH)	(mmH ₂ O)	(Inch H ₂ O)	
SAF3P133-EC072-A2	◎	220	50/60	30.0	1740	150.0	255.0	50.99	2.01	56.0
SAF3P133-EC072-A2	◎	220	50/60	65.0	2100	182.3	310.0	31.60	1.25	64.0

⊗ Bearing System ※ : Sleeve ★ : WRB ◎ : Ball

★如果您需要的轉速或電壓或功能不在這份清單上，請與我們業務聯繫 If you need another RPM or Voltage or Functions which one is not in the list, please contact us.

★產品詳細數據及功能請參閱承認書 Please see the approval sheet for more information . ★產品規格變更不另行通知 Specifications are subject to change without notice.