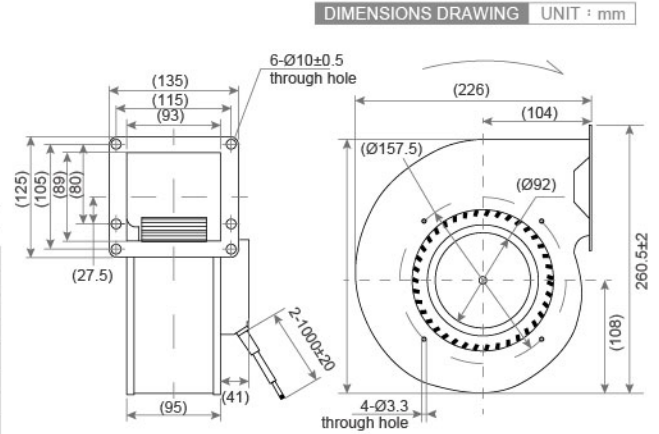
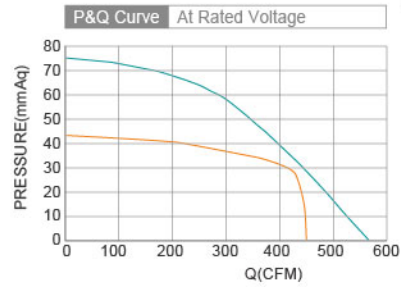


EC Forward Centrifugal Fan SAF3P150-EC092 SERIES 226X261X95mm



- Material : Galvanized sheet steel
材質：鍍鋅板材
- Bearing System : Two Ball Bearing
軸承結構：滾珠軸承
- Protection Class : IP44
防護等級：IP44



Model No.	Bearing Type	Voltage (VAC)	Frequency (Hz)	Power (W)	Speed (RPM)	Air Flow (CFM)	Air Flow (CMH)	Air Pressure (mmH ₂ O)	Air Pressure (Inch H ₂ O)	Noise (dBA)
SAF3P150-EC092-A2	◎	220	50/60	150.0	2150	450.0	761.4	43.18	1.71	67.0
SAF3P150-EC092-A2	◎	220	50/60	150.0	2550	574.0	974.7	75.44	2.97	69.0

⊗ Bearing System ※ : Sleeve ★ : WRB ◎ : Ball

★如果您需要的轉速或電壓或功能不在這份清單上，請與我們業務聯繫 If you need another RPM or Voltage or Functions which one is not in the list, please contact us.

★產品詳細數據及功能請參閱承認書 Please see the approval sheet for more information . ★產品規格變更不另行通知 Specifications are subject to change without notice.