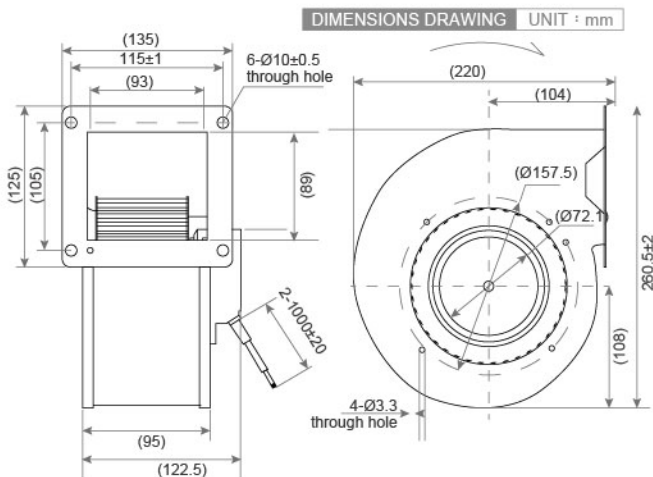
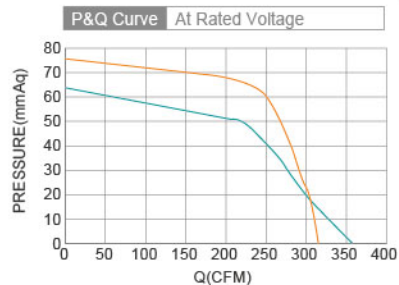


# EC Forward Centrifugal Fan SAF3P160-EC092 SERIES 220X260X95mm

- Impeller : PA66  
材質：塑料PA66
- Bearing System : Two Ball Bearing  
軸承結構：滾珠軸承
- Protection Class : IP44  
防護等級：IP44



Model No.	Bearing Type	Voltage (VAC)	Frequency (HZ)	Power (W)	Speed (RPM)	Air Flow		Air Pressure		Noise (dBA)
						(CFM)	(CMH)	(mmH <sub>2</sub> O)	(Inch H <sub>2</sub> O)	
SAF3P160-EC092-A2	◎	220	50 / 60	110	1900	317.5	540.0	76.5	3.1	67.0
SAF3P160-EC092-A2	◎	220	50 / 60	150	2150	352.8	600.0	63.7	2.5	69.0

⊗ Bearing System ※ : Sleeve ★ : WRB ◎ : Ball

★如果您需要的轉速或電壓或功能不在這份清單上，請與我們業務聯繫 If you need another RPM or Voltage or Functions which one is not in the list, please contact us.

★產品詳細數據及功能請參閱承認書 Please see the approval sheet for more information . ★產品規格變更不另行通知 Specifications are subject to change without notice.