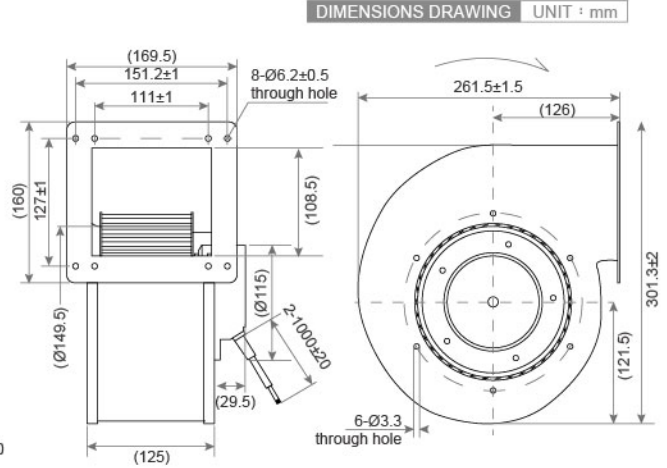
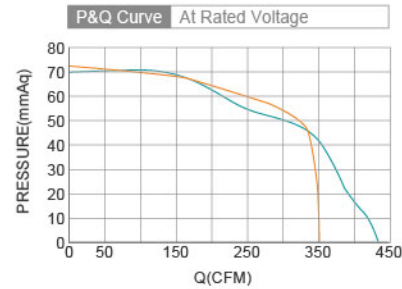


EC Forward Centrifugal Fan SAF3P180-EC092 SERIES 262X301X125mm



- Impeller : PA66
材質 : 塑料PA66
- Bearing System : Two Ball Bearing
軸承結構 : 滾珠軸承
- Protection Class : IP44
防護等級 : IP44



Model No.	Bearing Type	Voltage (VAC)	Frequency (Hz)	Power (W)	Speed (RPM)	Air Flow		Air Pressure		Noise (dBA)
						(CFM)	(CMH)	(mmH ₂ O)	(Inch H ₂ O)	
SAF3P180-EC092-A2	◎	220	50/60	70.0	1200	353.4	601.0	72.91	2.87	63.0
SAF3P180-EC092-A2	◎	220	50/60	180.0	1600	438.0	743.7	69.85	2.75	65.0

⊗ Bearing System ※ : Sleeve ★ : WRB ◎ : Ball

★如果您需要的轉速或電壓或功能不在這份清單上，請與我們業務聯繫 If you need another RPM or Voltage or Functions which one is not in the list, please contact us.

★產品詳細數據及功能請參閱承認書 Please see the approval sheet for more information . ★產品規格變更不另行通知 Specifications are subject to change without notice.