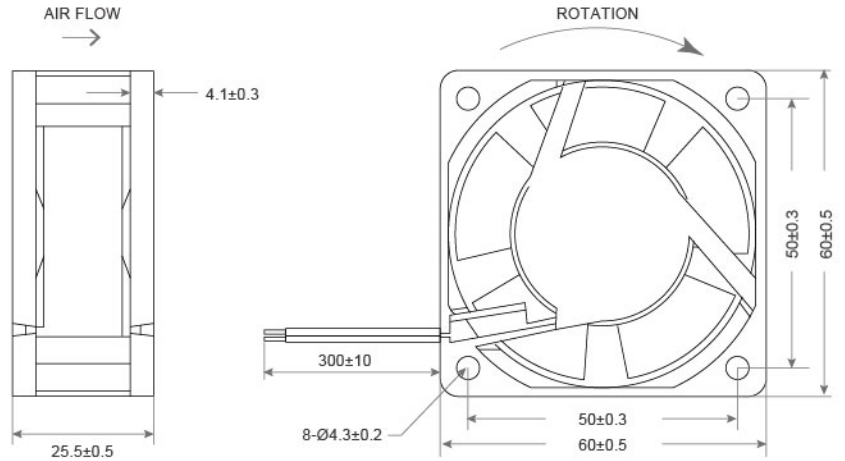
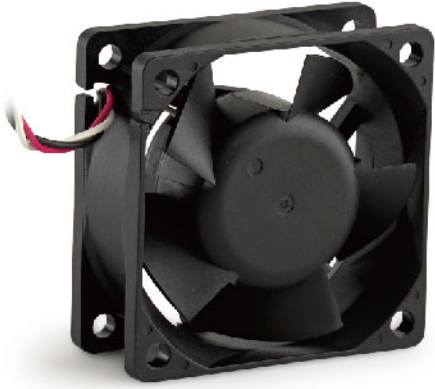
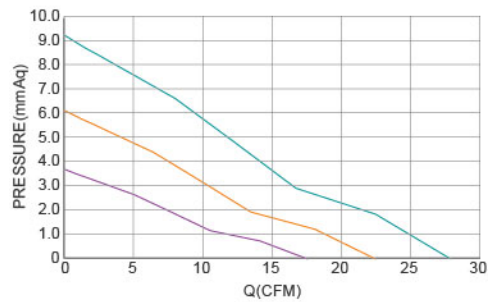


DIMENSIONS DRAWING UNIT : mm



- Frame : Thermoplastic PBT UL94-V0
外框材質：環保防火PBT
- Impeller : Thermoplastic PBT UL94-V0
扇葉材質：環保防火PBT
- Bearing System : ※Sleeve · ★WRB · ◎Two Ball Bearing
軸承結構：※含油軸承 · ★專利軸承 · ◎滾珠軸承
- Unit Weight : 55g
風扇單體重量：55克

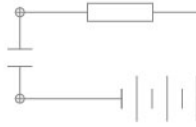
P&Q Curve At Rated Voltage



Model No.	Bearing Type	Voltage (VAC)	Frequency (HZ)	Power (W)	Speed (RPM)	Air Flow (CFM)	Air Flow (m ³ /min)	Air Pressure (mmH ₂ O)	Air Pressure (Inch H ₂ O)	Noise (dBA)
TRT6025x11D	※★◎	110 (80~120)	45~65	3.00	3500	17.56	0.50	3.76	0.15	30.80
TRT6025x11L	※★◎	110 (80~120)	45~65	3.80	4500	22.43	0.63	6.14	0.24	35.20
TRT6025x11M	※★◎	110 (80~120)	45~65	4.20	5500	27.32	0.77	9.10	0.36	39.50
TRT6025x22D	※★◎	220 (120~240)	45~65	3.00	3500	17.56	0.50	3.76	0.15	30.80
TRT6025x22L	※★◎	220 (120~240)	45~65	3.80	4500	22.43	0.63	6.14	0.24	35.20
TRT6025x22M	※★◎	220 (120~240)	45~65	4.20	5500	27.32	0.77	9.10	0.36	39.50

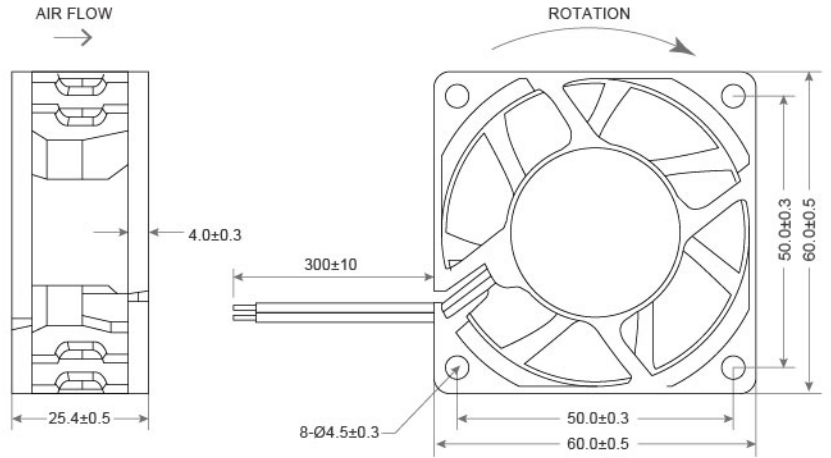
⊗ Bearing System ※ : Sleeve ★ : WRB ◎ : Ball

★如果您需要的轉速或電壓或功能不在這份清單上，請與我們業務聯繫 If you need another RPM or Voltage or Functions which one is not in the list, please contact us.
★產品詳細數據及功能請參閱承認書 Please see the approval sheet for more information . ★產品規格變更不另行通知 Specifications are subject to change without notice.



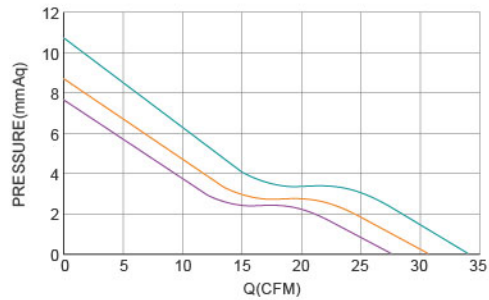
EC Axial Fan TRT6025 FD SERIES 60X60X25mm

DIMENSIONS DRAWING UNIT : mm



- Frame : Thermoplastic PBT UL94-V0
外框材質：環保防火PBT
- Impeller : Thermoplastic PBT UL94-V0
扇葉材質：環保防火PBT
- Bearing System : ※Sleeve · ★WRB · ◎Two Ball Bearing
軸承結構：※含油軸承 · ★專利軸承 · ◎滾珠軸承
- Unit Weight : 65g
風扇單體重量：65克

P&Q Curve At Rated Voltage



Model No.	Bearing Type	Voltage (VAC)	Frequency (HZ)	Power (W)	Speed (RPM)	Air Flow (CFM)	Air Flow (m ³ /min)	Air Pressure (mmH ₂ O)	Air Pressure (Inch H ₂ O)	Noise (dBA)
TRT6025x11D	※★◎	110 (90~130)	45~65	1.20	3200	16.81	0.48	2.86	0.11	27.0
TRT6025x11L	※★◎	110 (90~130)	45~65	1.92	3800	19.78	0.56	3.93	0.16	32.0
TRT6025x11M	※★◎	110 (90~130)	45~65	2.30	4450	23.35	0.66	5.35	0.21	35.0
TRT6025x11H	※★◎	110 (90~130)	45~65	2.80	5200	27.55	0.78	7.47	0.29	41.0
TRT6025x11VH	※★◎	110 (90~130)	45~65	3.40	5700	30.48	0.86	8.76	0.35	44.0
TRT6025x11SH	※★◎	110 (90~130)	45~65	4.20	6200	34.15	0.97	10.73	0.42	46.0
TRT6025x22D	※★◎	220 (190~245)	45~65	1.20	3200	16.81	0.48	2.86	0.11	27.0
TRT6025x22L	※★◎	220 (190~245)	45~65	1.92	3800	19.78	0.56	3.93	0.16	32.0
TRT6025x22M	※★◎	220 (190~245)	45~65	2.30	4450	23.35	0.66	5.35	0.21	35.0
TRT6025x22H	※★◎	220 (190~245)	45~65	2.80	5200	27.55	0.78	7.47	0.29	41.0
TRT6025x22VH	※★◎	220 (190~245)	45~65	3.40	5700	30.48	0.86	8.76	0.35	44.0
TRT6025x22SH	※★◎	220 (190~245)	45~65	4.20	6200	34.15	0.97	10.73	0.42	46.0

⊗ Bearing System ※ : Sleeve ★ : WRB ◎ : Ball

★如果您需要的轉速或電壓或功能不在這份清單上，請與我們業務聯繫 If you need another RPM or Voltage or Functions which one is not in the list, please contact us.

★產品詳細數據及功能請參閱承認書 Please see the approval sheet for more information . ★產品規格變更不另行通知 Specifications are subject to change without notice.