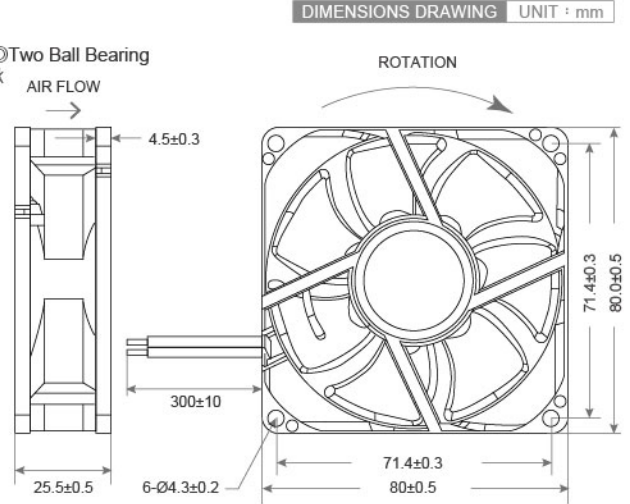
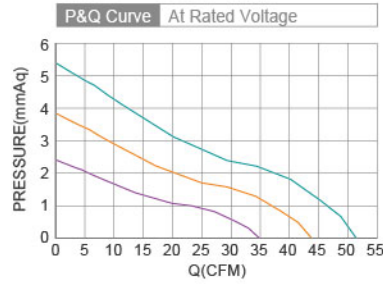


EC Axial Fan TRT8025 SERIES 80X80X25mm

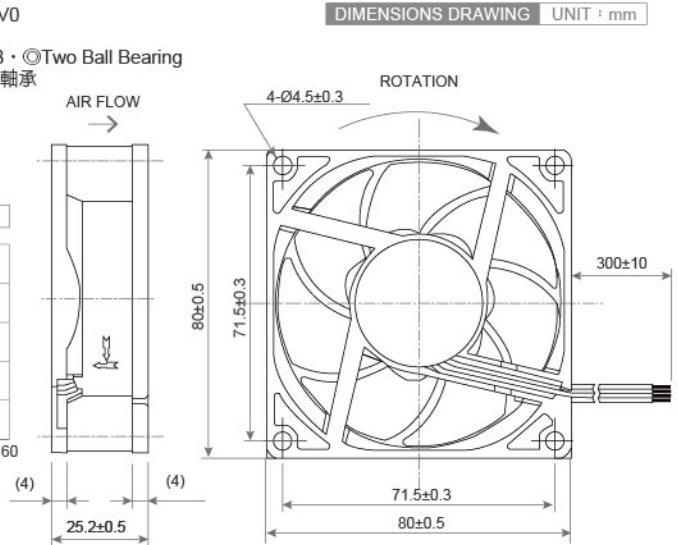
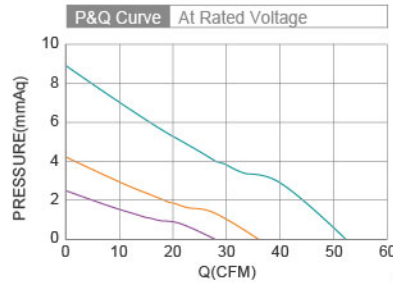
- Material : Thermoplastic PBT UL94-V0
材質：環保防火PBT
- Bearing System : ※ Sleeve · ★ WRB · ◎ Two Ball Bearing
軸承結構：※含油 · ★ WRB · ◎滾珠軸承
- Weight : 54g
風扇單體重量：54克



Model No.	Bearing Type	Voltage (VAC)	Frequency (HZ)	Power (W)	Speed (RPM)	Air Flow (CFM)	Air Flow (m ³ /min)	Air Pressure (mmH ₂ O)	Air Pressure (Inch H ₂ O)	Noise (dBA)
TRT8025x11D	※★◎	110 (80~120)	45~65	3.00	2400	34.86	0.99	2.45	0.10	29.90
TRT8025x11L	※★◎	110 (80~120)	45~65	3.80	3000	43.23	1.22	3.77	0.15	34.80
TRT8025x11M	※★◎	110 (80~120)	45~65	4.20	3600	51.59	1.46	5.37	0.21	38.30
TRT8025x22D	※★◎	220 (120~240)	45~65	3.00	2400	34.86	0.99	2.45	0.10	29.90
TRT8025x22L	※★◎	220 (120~240)	45~65	3.80	3000	43.23	1.22	3.77	0.15	34.80
TRT8025x22M	※★◎	220 (120~240)	45~65	4.20	3600	51.59	1.46	5.37	0.21	38.30

EC Axial Fan TRT8025 FDC SERIES 80X80X25mm

- Material : Thermoplastic PBT UL94-V0
材質：環保防火PBT
- Bearing System : ※ Sleeve · ★ WRB · ◎ Two Ball Bearing
軸承結構：※含油 · ★ WRB · ◎滾珠軸承
- Weight : 100g
風扇單體重量：100克



Model No.	Bearing Type	Voltage (VAC)	Frequency (HZ)	Power (W)	Speed (RPM)	Air Flow (CFM)	Air Flow (m ³ /min)	Air Pressure (mmH ₂ O)	Air Pressure (Inch H ₂ O)	Noise (dBA)
TRT8025x12D	※★◎	110~220 (80~250)	50 / 60	0.72	1500	14.80	0.42	0.73	0.03	17.0
TRT8025x12L	※★◎	110~220 (80~250)	50 / 60	0.96	2100	20.40	0.58	1.46	0.06	19.0
TRT8025x12M	※★◎	110~220 (80~250)	50 / 60	1.44	2800	27.50	0.78	2.59	0.10	23.0
TRT8025x12H	※★◎	110~220 (80~250)	50 / 60	2.16	3500	35.50	1.01	4.13	0.16	28.0
TRT8025x12VH	※★◎	110~220 (80~250)	50 / 60	2.64	5200	51.50	1.46	8.94	0.35	38.0

⊗ Bearing System ※ : Sleeve ★ : WRB ◎ : Ball

★如果您需要的轉速或電壓或功能不在這份清單上，請與我們業務聯繫 If you need another RPM or Voltage or Functions which one is not in the list, please contact us.

★產品詳細數據及功能請參閱承認書 Please see the approval sheet for more information . ★產品規格變更不另行通知 Specifications are subject to change without notice.