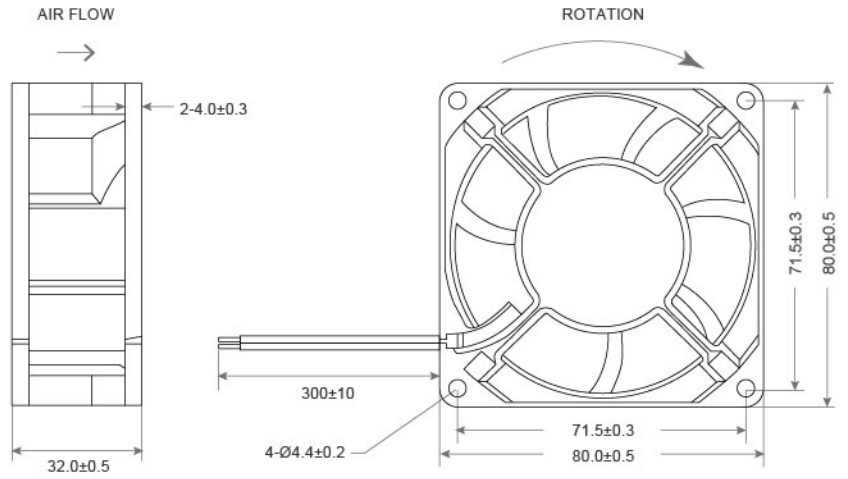


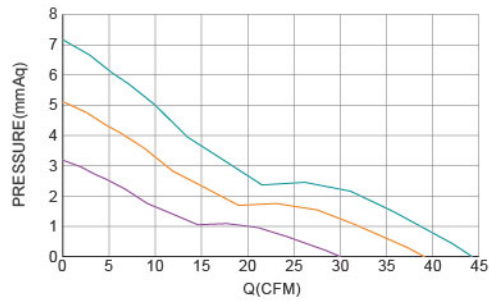
EC Axial Fan TRT8032 SERIES 80X80X32mm

DIMENSIONS DRAWING UNIT : mm



- Frame : Thermoplastic PBT UL94-V0
外框材質：環保防火PBT
- Impeller : Thermoplastic PBT UL94-V0
扇葉材質：環保防火PBT
- Bearing System : ※ Sleeve · ★ WRB · ◎ Two Ball Bearing
軸承結構：※ 含油軸承 · ★ 專利軸承 · ◎ 滾珠軸承
- Unit Weight : 95g
風扇單體重量：95克

P&Q Curve At Rated Voltage



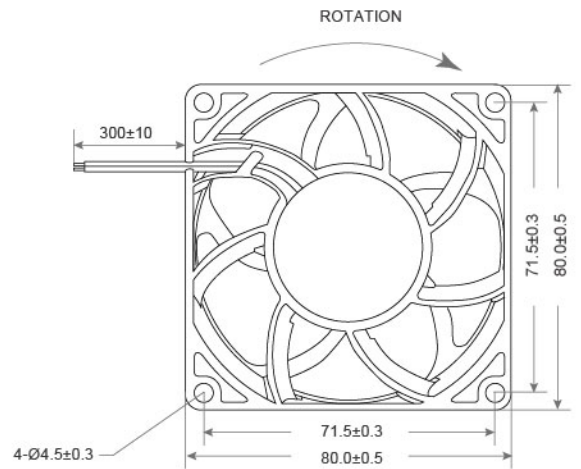
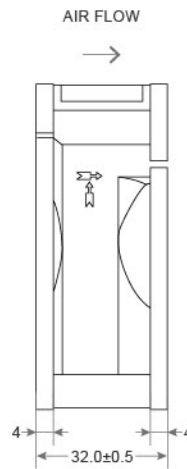
Model No.	Bearing Type	Voltage (VAC)	Frequency (HZ)	Power (W)	Speed (RPM)	Air Flow (CFM)	Air Flow (m ³ /min)	Air Pressure (mmH ₂ O)	Air Pressure (Inch H ₂ O)	Noise (dBA)
TRT8032x11D	※★◎	110 (80~120)	45~65	3.60	2400	29.89	0.85	3.26	0.13	22.50
TRT8032x11L	※★◎	110 (80~120)	45~65	4.00	3000	37.07	1.05	5.01	0.20	25.00
TRT8032x11M	※★◎	110 (80~120)	45~65	4.50	3600	44.24	1.25	7.14	0.28	36.50
TRT8032x22D	※★◎	220 (120~240)	45~65	3.60	2400	29.89	0.85	3.26	0.13	22.50
TRT8032x22L	※★◎	220 (120~240)	45~65	4.00	3000	37.07	1.05	5.01	0.20	25.00
TRT8032x22M	※★◎	220 (120~240)	45~65	4.50	3600	44.24	1.25	7.14	0.28	36.50

⊗ Bearing System ※ : Sleeve ★ : WRB ◎ : Ball

★如果您需要的轉速或電壓或功能不在這份清單上，請與我們業務聯繫 If you need another RPM or Voltage or Functions which one is not in the list, please contact us.

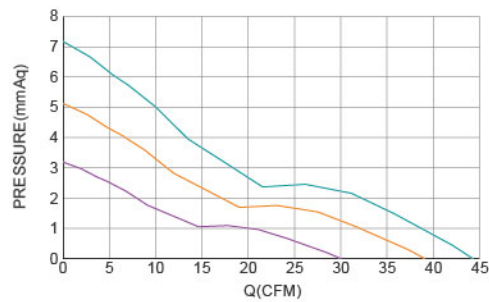
★產品詳細數據及功能請參閱承認書 Please see the approval sheet for more information . ★產品規格變更不另行通知 Specifications are subject to change without notice.

DIMENSIONS DRAWING UNIT : mm



- Frame : Thermoplastic PBT UL94-V0
外框材質：環保防火PBT
- Impeller : Thermoplastic PBT UL94-V0
扇葉材質：環保防火PBT
- Bearing System : ※ Sleeve · ★ WRB · ◎ Two Ball Bearing
軸承結構：※ 含油軸承 · ★ 專利軸承 · ◎ 滾珠軸承
- Unit Weight : 125g
風扇單體重量：125克

P&Q Curve At Rated Voltage



Model No.	Bearing Type	Voltage (VAC)	Frequency (HZ)	Power (W)	Speed (RPM)	Air Flow (CFM)	Air Flow (m ³ /min)	Air Pressure (mmH ₂ O)	Air Pressure (Inch H ₂ O)	Noise (dBA)
TRT8032x11L	※★◎	110 (90~130)	45~65	1.2	2600	23.3	0.66	2.65	0.10	21.0
TRT8032x11M	※★◎	110 (90~130)	45~65	1.8	4000	35.7	1.01	6.24	0.25	33.0
TRT8032x11H	※★◎	110 (90~130)	45~65	3.8	6000	53.4	1.51	14.04	0.55	44.0
TRT8032x11VH	※★◎	110 (90~130)	45~65	5.0	6700	59.6	1.69	17.43	0.68	47.0
TRT8032x22L	※★◎	220 (190~245)	45~65	1.2	2600	23.3	0.66	2.65	0.10	21.0
TRT8032x22M	※★◎	220 (190~245)	45~65	1.8	4000	35.7	1.01	6.24	0.25	33.0
TRT8032x22H	※★◎	220 (190~245)	45~65	3.8	6000	53.4	1.51	14.04	0.55	44.0
TRT8032x22VH	※★◎	220 (190~245)	45~65	5.0	6700	59.6	1.69	17.43	0.68	47.0

⊗ Bearing System ※ : Sleeve ★ : WRB ◎ : Ball

★如果您需要的轉速或電壓或功能不在這份清單上，請與我們業務聯繫 If you need another RPM or Voltage or Functions which one is not in the list, please contact us.

★產品詳細數據及功能請參閱承認書 Please see the approval sheet for more information . ★產品規格變更不另行通知 Specifications are subject to change without notice.