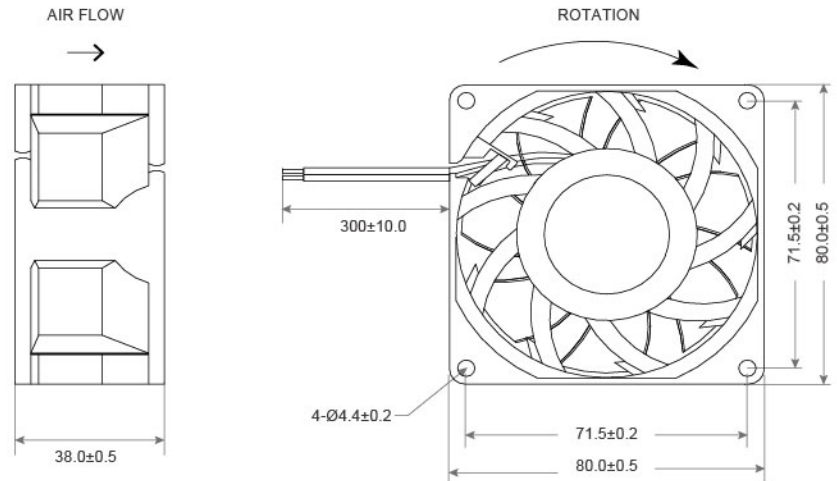


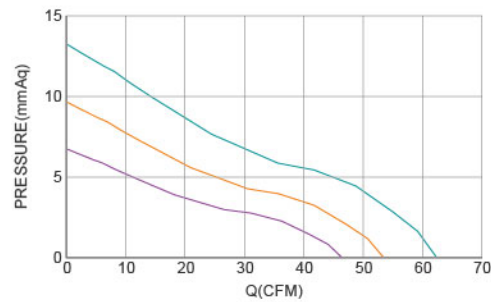
EC Axial Fan TRT8038 Y SERIES 80X80X38mm

DIMENSIONS DRAWING UNIT : mm



- Frame : Thermoplastic PBT UL94-V0
外框材質：環保防火PBT
- Impeller : Thermoplastic PBT UL94-V0
扇葉材質：環保防火PBT
- Bearing System : ※ Sleeve · ★WRB · ◎Two Ball Bearing
軸承結構：※含油軸承 · ★專利軸承 · ◎滾珠軸承
- Unit Weight : 177.6g
風扇單體重量：177.6克

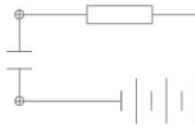
P&Q Curve At Rated Voltage



Model No.	Bearing Type	Voltage (VAC)	Frequency (HZ)	Power (W)	Speed (RPM)	Air Flow (CFM)	Air Flow (m ³ /min)	Air Pressure (mmH ₂ O)	Air Pressure (Inch H ₂ O)	Noise (dBA)
TRT8038x11D	※★◎	110(80~120)	45~65	3.0	2400	31.24	0.88	3.16	0.12	22.5
TRT8038x11L	※★◎	110(80~120)	45~65	3.6	3000	38.73	1.10	4.85	0.19	25.0
TRT8038x11M	※★◎	110(80~120)	45~65	4.0	3600	46.23	1.31	6.91	0.27	36.5
TRT8038x11H	※★◎	110(80~120)	45~65	4.5	4200	53.73	1.52	9.34	0.37	39.5
TRT8038x11H(Y)	※◎	220(120~240)	45~65	9.0	5000	62.30	1.76	13.60	0.45	52.1
TRT8038x22D	※★◎	220(120~240)	45~65	3.0	2400	31.24	0.88	3.16	0.12	22.5
TRT8038x22L	※★◎	220(120~240)	45~65	3.6	3000	38.73	1.10	4.85	0.19	25.0
TRT8038x22M	※★◎	220(120~240)	45~65	4.0	3600	46.23	1.31	6.91	0.27	36.5
TRT8038x22H	※★◎	110(80~120)	50 / 60	4.5	4200	53.73	1.52	9.34	0.37	39.5
TRT8038x22H(Y)	※◎	220(120~240)	50 / 60	9.0	5000	62.30	1.76	13.60	0.45	52.1

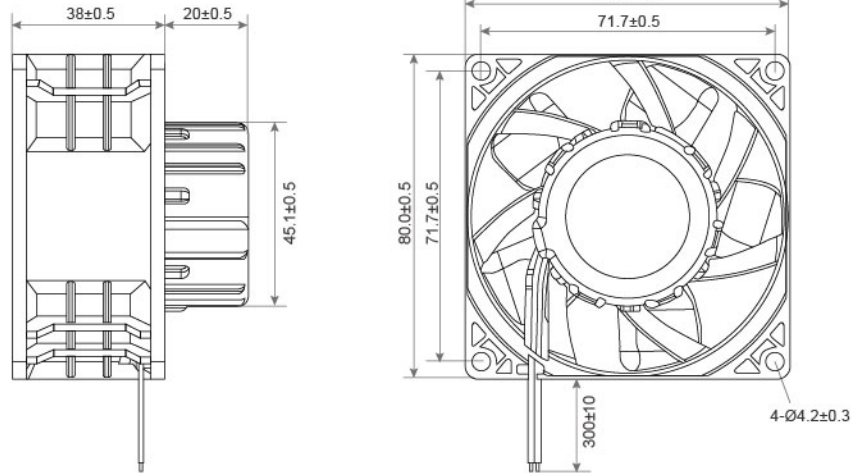
⊗ Bearing System ※ : Sleeve ★ : WRB ◎ : Ball

★如果您需要的轉速或電壓或功能不在這份清單上，請與我們業務聯繫 If you need another RPM or Voltage or Functions which one is not in the list, please contact us.
★產品詳細數據及功能請參閱承認書 Please see the approval sheet for more information . ★產品規格變更不另行通知 Specifications are subject to change without notice.



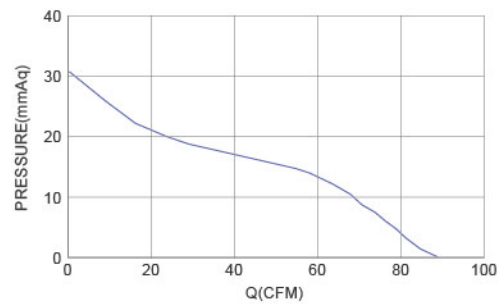
EC Axial Fan TRT8038 FDC SERIES 80X80X38mm

DIMENSIONS DRAWING UNIT : mm



- Frame : Thermoplastic PBT UL94-V0
外框材質：環保防火PBT
- Impeller : Thermoplastic PBT UL94-V0
扇葉材質：環保防火PBT
- Bearing : ※ Sleeve · ◎ Two Ball Bearing
軸承：※ 含油 · ◎ 滾珠軸承
- Unit Weight : 220g
風扇單體重量：220克

P&Q Curve At Rated Voltage



Model No.	Bearing Type	Voltage (VAC)	Current (A)	Power (W)	Speed (RPM)	Air Flow (CFM)	Air Flow (m ³ /min)	Air Pressure (mmH ₂ O)	Air Pressure (Inch H ₂ O)	Noise (dBA)
TRT8038x11L	※◎	115 (100~245)	0.06	7.0	5000	58.71	1.67	14.19	0.56	45.5
TRT8038x11M	※◎	115 (100~245)	0.08	8.8	6000	70.39	1.99	20.11	0.79	48.5
TRT8038x11H	※◎	115 (100~245)	0.10	11.8	7000	82.45	2.34	27.03	1.06	51.5
TRT8038x11VH	※◎	115 (100~245)	0.13	15.4	8000	95.95	2.73	36.39	1.43	54.5
TRT8038x22L	※◎	220 (100~245)	0.03	7.0	5000	58.71	1.67	14.19	0.56	45.5
TRT8038x22M	※◎	220 (100~245)	0.04	8.8	6000	70.39	1.99	20.11	0.79	48.5
TRT8038x22H	※◎	220 (100~245)	0.05	11.8	7000	82.45	2.34	27.03	1.06	51.5
TRT8038x22VH	※◎	220 (100~245)	0.07	15.4	8000	95.95	2.73	36.39	1.43	54.5

◎ Bearing System ※ : Sleeve ★ : WRB ◎ : Ball

★如果您需要的轉速或電壓或功能不在這份清單上，請與我們業務聯繫 If you need another RPM or Voltage or Functions which one is not in the list, please contact us.

★產品詳細數據及功能請參閱承認書 Please see the approval sheet for more information . ★產品規格變更不另行通知 Specifications are subject to change without notice.