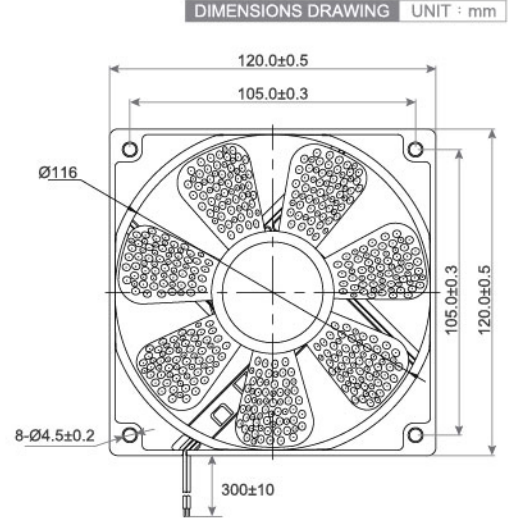
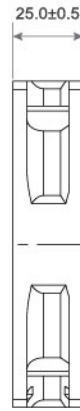
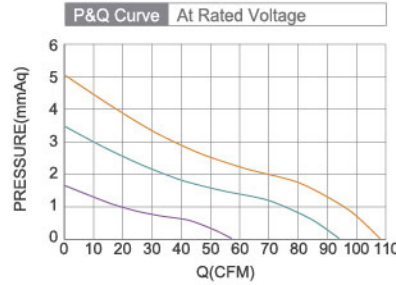


DC Axial Fan TRS12025 G SERIES 120X120X25mm(V7)



- Frame : Thermoplastic PBT UL94-V0
外框材質：環保防火PBT
- Impeller : Thermoplastic PBT UL94-V0
扇葉材質：環保防火PBT
- Bearing : Sleeve · Two Ball Bearing
軸承：※含油 ◎滾珠軸承
- Unit Weight : 153.0g
風扇單體重量：153.0克

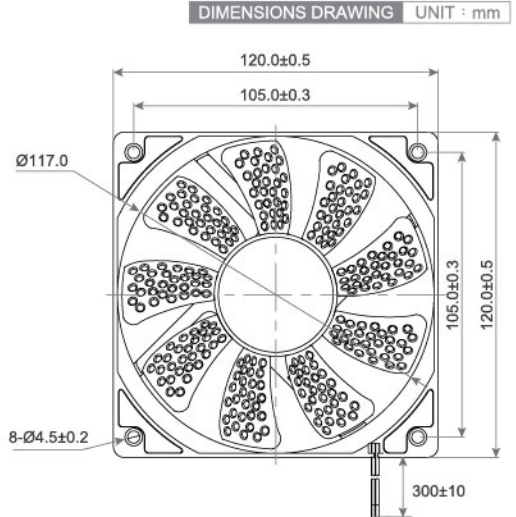
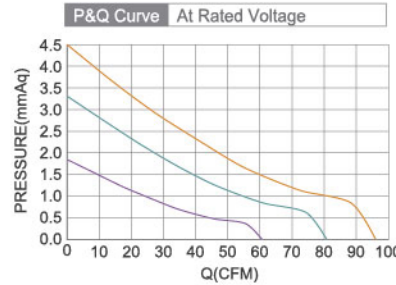


Model No.	Bearing Type	Voltage (VDC)	Current (A)	Power (W)	Speed (RPM)	Air Flow (CFM)	Air Flow (m ³ /min)	Air Pressure (mmHzO)	Air Pressure (Inch HzO)	Noise (dBA)
TRS1225x12L	※◎	12 (7.0~13.8)	0.30	3.60	1500	57.23	1.62	1.64	0.06	25.6
TRS1225x12M	※◎	12 (6.0~13.8)	0.30	3.60	2000	93.96	2.66	3.47	0.14	34.3
TRS1225x12H	※◎	12 (6.0~13.8)	0.38	4.56	2400	108.17	3.06	5.05	0.20	40.9

DC Axial Fan TRS12025 GB SERIES 120X120X25mm(V9)



- Frame : Thermoplastic PBT UL94-V0
外框材質：環保防火PBT
- Impeller : Thermoplastic PBT UL94-V0
扇葉材質：環保防火PBT
- Bearing : Sleeve · Two Ball Bearing
軸承：※含油軸承 ◎滾珠軸承
- Unit Weight : 151.0g
風扇單體重量：151.0克



Model No.	Bearing Type	Voltage (VDC)	Current (A)	Power (W)	Speed (RPM)	Air Flow (CFM)	Air Flow (m ³ /min)	Air Pressure (mmHzO)	Air Pressure (Inch HzO)	Noise (dBA)
TRS1225x12L	※◎	12 (7.0~13.8)	0.30	3.60	1500	60.59	1.71	1.86	0.07	30.2
TRS1225x12M	※◎	12 (7.0~13.8)	0.30	3.60	2000	80.79	2.29	3.30	0.13	39.0
TRS1225x12H	※◎	12 (7.0~13.8)	0.38	4.56	2400	96.04	2.72	4.50	0.18	41.6

⊗ Bearing System ※ : Sleeve ★ : WRB ◎ : Ball

★如果您需要的轉速或電壓或功能不在這份清單上，請與我們業務聯繫 Please contact us, if the SPEC you need is not in the list.

★產品詳細數據及功能請參閱承認書 Please see the approval sheet for more information . ★產品規格變更不另行通知 Specifications are subject to change without notice. ■ A82