

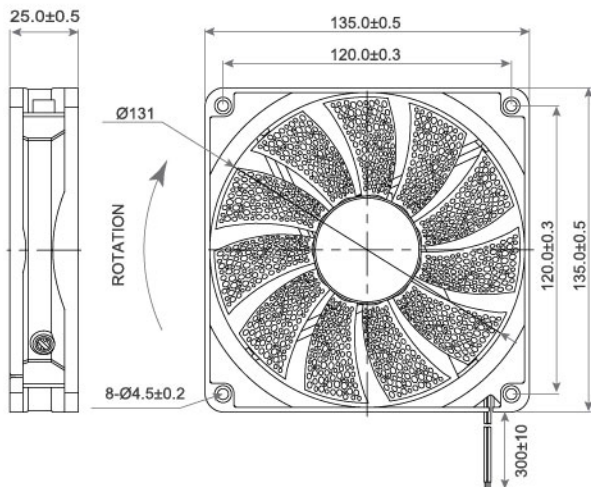
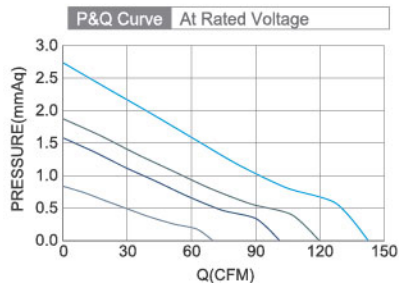


## DC Axial Fan

# TRS13525 G SERIES 135X135X25mm



- Frame : Thermoplastic PBT UL94-V0  
外框材質：環保防火PBT
- Impeller : Thermoplastic PBT UL94-V0  
扇葉材質：環保防火PBT
- Bearing : ※ Sleeve · ◎ Two Ball bearing  
軸承：※含油 · ◎滾珠軸承
- Unit Weight : 152.0g  
風扇單體重量：152.0克



| Model No.     | Bearing Type | Voltage (VDC)  | Current (A) | Power (W) | Speed (RPM) | Air Flow (CFM) | Air Flow (m <sup>3</sup> /min) | Air Pressure (mmH <sub>2</sub> O) | Air Pressure (Inch H <sub>2</sub> O) | Noise (dBA) |
|---------------|--------------|----------------|-------------|-----------|-------------|----------------|--------------------------------|-----------------------------------|--------------------------------------|-------------|
| TRS13525X12L  | ※◎           | 12 (10.8~13.8) | 0.20        | 2.40      | 900         | 69.79          | 1.98                           | 0.83                              | 0.03                                 | 15.8        |
| TRS13525X12M  | ※◎           | 12 (10.8~13.8) | 0.28        | 3.36      | 1200        | 101.25         | 2.87                           | 1.57                              | 0.06                                 | 22.1        |
| TRS13525X12H  | ※◎           | 12 (6.0~13.8)  | 0.33        | 3.96      | 1500        | 119.80         | 3.39                           | 1.86                              | 0.07                                 | 27.9        |
| TRS13525X12VH | ※◎           | 12 (6.0~13.8)  | 0.45        | 5.40      | 1800        | 143.10         | 4.05                           | 2.72                              | 0.11                                 | 32.7        |