

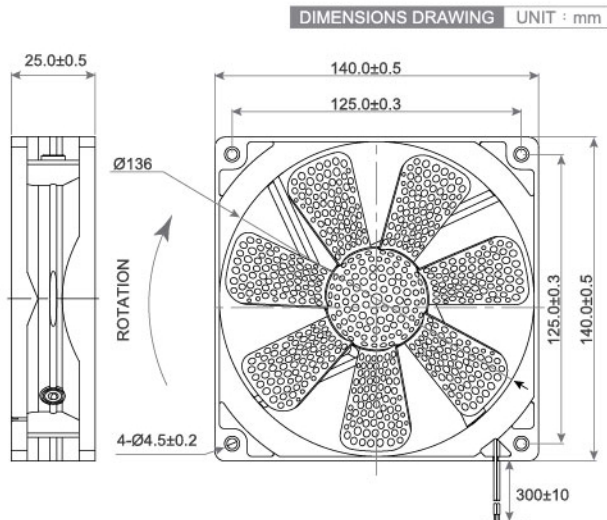
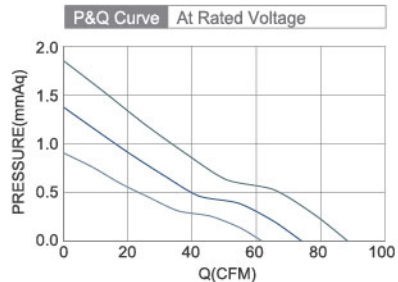


DC Axial Fan

TRS14025 G SERIES 140X140X25mm



- Frame : Thermoplastic PBT UL94-V0
外框材質：環保防火PBT
- Impeller : Thermoplastic PBT UL94-V0
扇葉材質：環保防火PBT
- Bearing : ※Sleeve · ◎Two Ball
軸承：※含油 · ◎滾珠軸承
- Unit Weight : 163.7g
風扇單體重量：163.7克



Model No.	Bearing Type	Voltage (VDC)	Current (A)	Power (W)	Speed (RPM)	Air Flow (CFM)	Air Flow (m ³ /min)	Air Pressure (mmH ₂ O)	Air Pressure (Inch H ₂ O)	Noise (dBA)
TRS1425x12L	※◎	12 (10.8~13.8)	0.10	1.20	900	62.14	1.76	0.92	0.04	13.9
TRS1425x12M	※◎	12 (8.0~13.8)	0.15	1.80	1200	74.14	2.10	1.36	0.05	22.1
TRS1425x12H	※◎	12 (8.0~13.8)	0.20	2.40	1500	88.62	2.51	1.84	0.07	25.5

⊗ Bearing System ※ : Sleeve ★ : WRB ◎ : Ball

★如果您需要的轉速或電壓或功能不在這份清單上，請與我們業務聯繫 Please contact us, if the SPEC you need is not in the list.

■ A95 ★產品詳細數據及功能請參閱承認書 Please see the approval sheet for more information . ★產品規格變更不另行通知 Specifications are subject to change without notice.