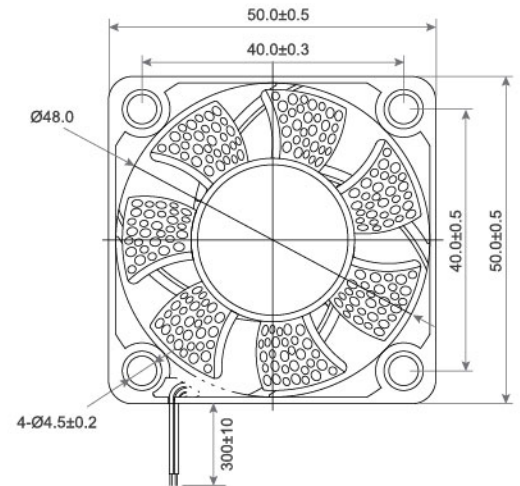
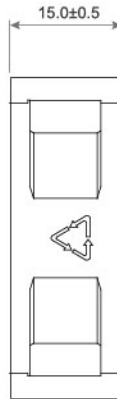


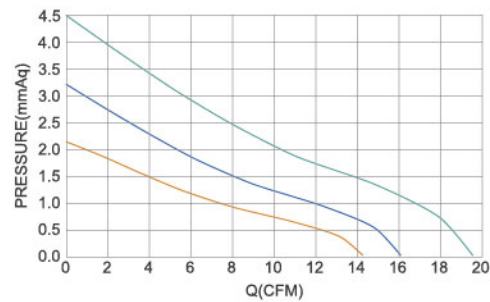
# DC Axial Fan TRS5015 G SERIES 50X50X15mm

DIMENSIONS DRAWING UNIT : mm



- Frame : Thermoplastic PBT UL94-V0  
外框材質：環保防火PBT
- Impeller : Thermoplastic PBT UL94-V0  
扇葉材質：環保防火PBT
- Bearing : ※Sleeve · ◎Two Ball Bearing  
軸承：※含油 · ◎滾珠軸承
- Unit Weight : 25.6g  
風扇單體重量：25.6克

P&Q Curve At Rated Voltage



Model No.	Bearing Type	Voltage (VDC)	Current (A)	Power (W)	Speed (RPM)	Air Flow (CFM)	Air Flow (m <sup>3</sup> /min)	Air Pressure (mmH <sub>2</sub> O)	Air Pressure (Inch H <sub>2</sub> O)	Noise (dBA)
TRS5015B12L	※◎	12 (7.0~13.8)	0.10	1.20	4000	14.35	0.41	2.14	0.08	20.1
TRS5015B12M	※◎	12 (7.0~13.8)	0.15	1.80	5000	16.18	0.46	3.18	0.12	25.3
TRS5015B12H	※◎	12 (7.0~13.8)	0.20	2.40	6000	19.69	0.56	4.47	0.18	29.6

⊗ Bearing System ※ : Sleeve ★ : WRB ◎ : Ball

★如果您需要的轉速或電壓或功能不在這份清單上，請與我們業務聯繫 Please contact us, if the SPEC you need is not in the list.

■ A31 ★產品詳細數據及功能請參閱承認書 Please see the approval sheet for more information . ★產品規格變更不另行通知 Specifications are subject to change without notice.