

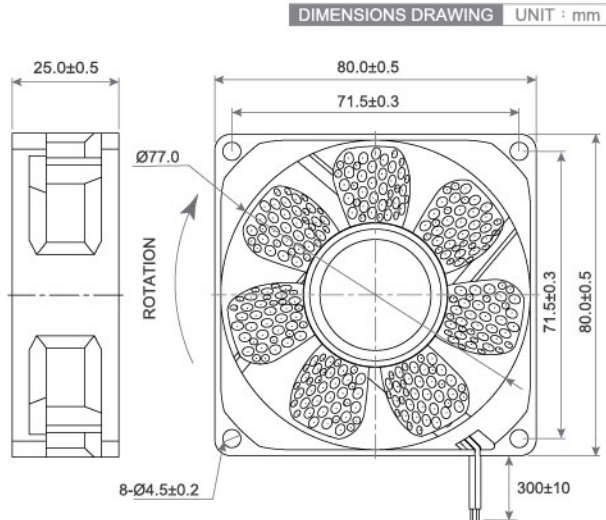
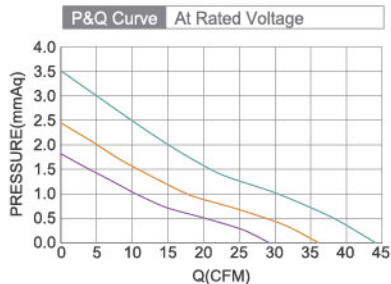


# DC Axial Fan

## TRS8025 G SERIES 80X80X25mm



- Frame : Thermoplastic PBT UL94-V0  
外框材質：環保防火PBT
- Impeller : Thermoplastic PBT UL94-V0  
扇葉材質：環保防火PBT
- Bearing : ※Sleeve · ◎Two Ball bearing  
軸承：※含油 · ◎滾珠軸承
- Unit Weight : 74.0g  
風扇單體重量：74.0克



Model No.	Bearing Type	Voltage (VDC)	Current (A)	Power (W)	Speed (RPM)	Air Flow (CFM)	Air Flow (m <sup>3</sup> /min)	Air Pressure (mmH <sub>2</sub> O)	Air Pressure (Inch H <sub>2</sub> O)	Noise (dBA)
TRS8025B12L	※◎	12 (6.0~13.8)	0.12	1.44	2000	29.11	0.82	1.86	0.07	19.5
TRS8025B12M	※◎	12 (6.0~13.8)	0.17	2.04	2500	36.04	1.02	2.46	0.10	22.6
TRS8025B12H	※◎	12 (6.0~13.8)	0.23	2.76	3000	44.09	1.25	3.54	0.14	30.3