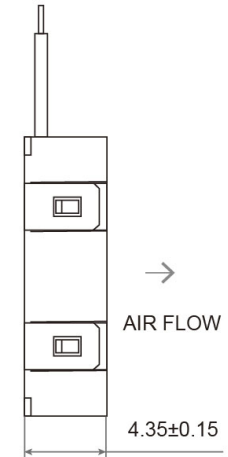
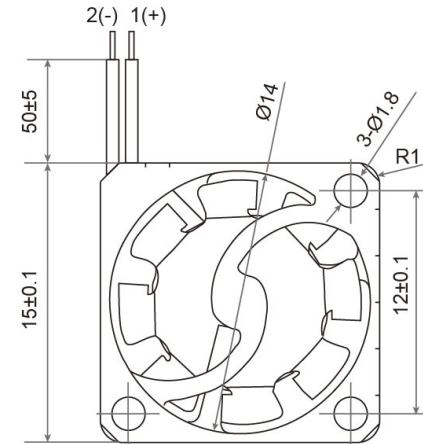
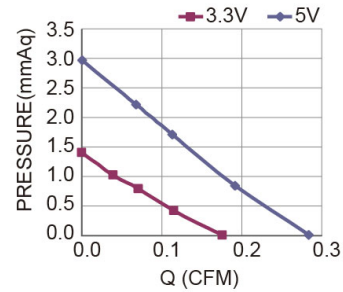
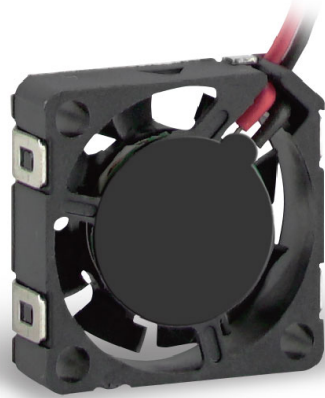


DC MINI Fan SFA1504



- Frame : Thermoplastic PBT UL94-V0 外框材質：環保防火PBT
- Impeller : Thermoplastic PBT UL94-V0 扇葉材質：環保防火PBT
- Bearing System : WRB Bearing 軸承結構：長壽命耐壓軸承
- Unit Weight : 1.27g 風扇單體重量：1.27克
- Wire : UL1571 AWG#30 ●Line 1 : Red Wire---(+) ●line 2 : Black Wire---(-)

Model No.	Rated Voltage (VAC)	Current (mA)	Power (W)	Speed (RPM)	Air Flow (CFM)	Air Flow (m ³ /min)	Air Pressure (mmAq)	Air Pressure (In H ₂ O)	Noise (dBA)
SFA1504-3	3.3(2.8~3.6)	20	0.07	11000	0.18	0.005	1.39	0.055	18.0
SFA1504-5	5(4.5~5.5)	30	0.15	16000	0.28	0.008	2.96	0.117	23.7

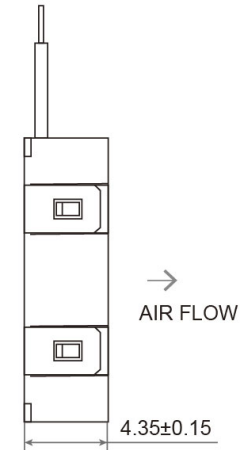
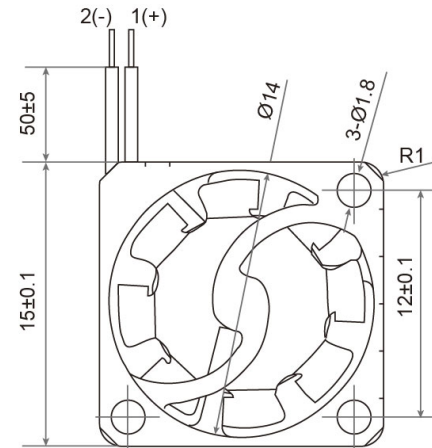
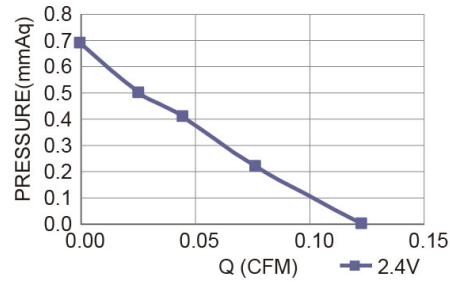
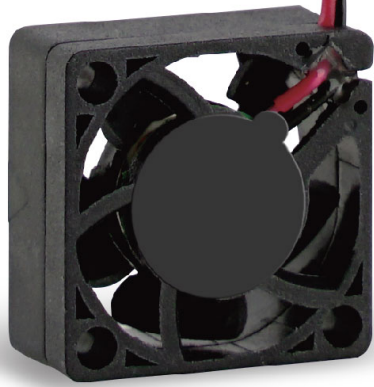
★此系列機種皆含IP58,耐塵耐水防護 This series of models all contain IP58 dustproof and waterproof grade protection
 ★產品詳細數據及功能請參閱承認書 Product have a detail in the approval sheet.



Strikefan Electronic Co.,Ltd



DC MINI Fan SFA1504U



- Frame : Thermoplastic PBT UL94-V0 外框材質：環保防火PBT
- Impeller : Thermoplastic PBT UL94-V0 扇葉材質：環保防火PBT
- Bearing System : WRB Bearing 軸承結構：長壽命耐壓軸承
- Unit Weight : 1.27g 風扇單體重量：1.27克
- Wire : UL1571 AWG#30 ●Line 1 : Red Wire---(+)
- line 2 : Black Wire---(-)

Model No.	Rated Voltage (VAC)	Current (mA)	Power (W)	Speed (RPM)	Air Flow (CFM)	Air Flow (m ³ /min)	Air Pressure (mmAq)	Air Pressure (In H ₂ O)	Noise (dBA)
SFA1504U	2.4(2.4~3.3)	11	0.30	7500	0.12	0.003	0.69	0.027	14.6

★此系列機種皆含IP58,耐塵耐水防護 This series of models all contain IP58 dustproof and waterproof grade protection
 ★產品詳細數據及功能請參閱承認書 Product have a detail in the approval sheet.

