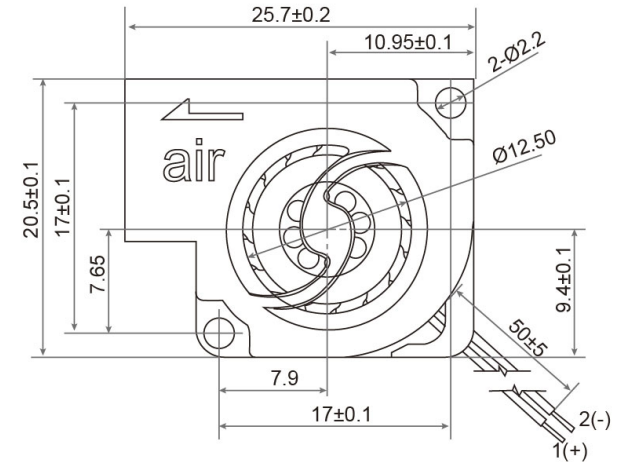
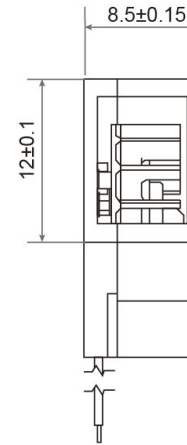
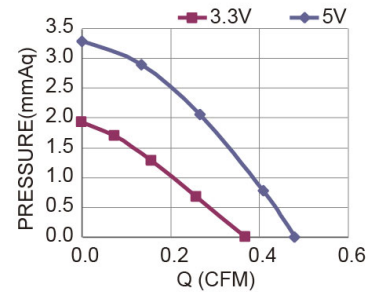




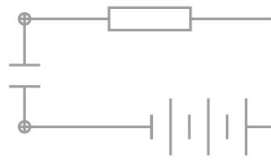
DC MINI Fan Blower SFB2008



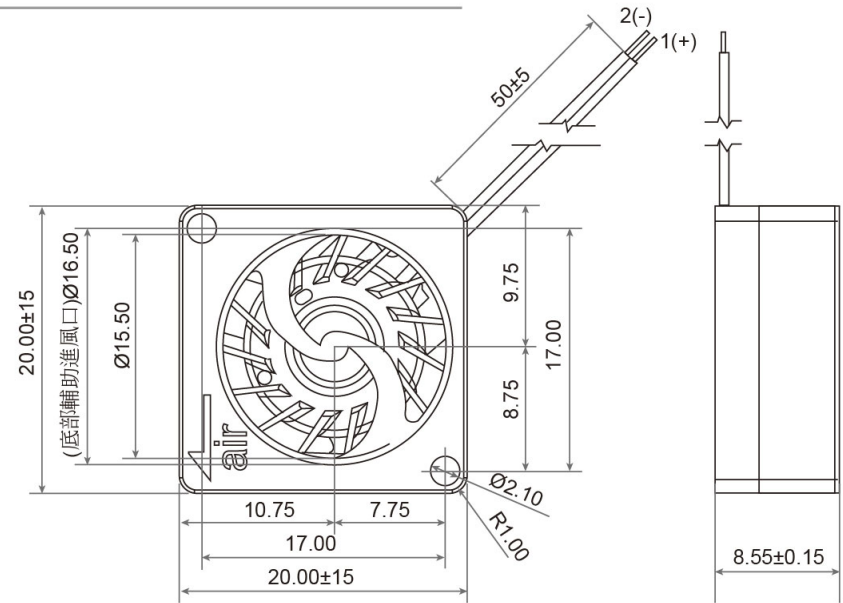
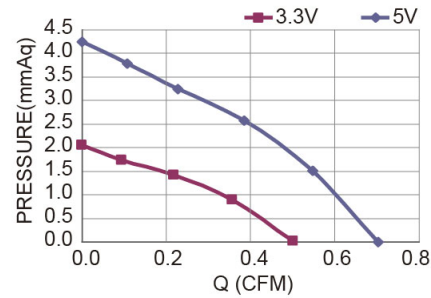
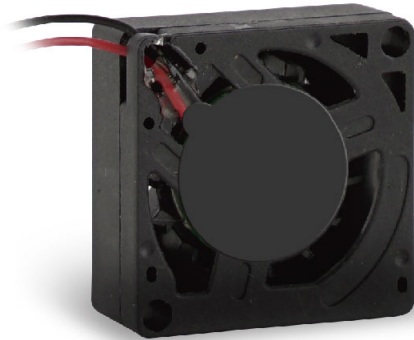
- Frame : Thermoplastic PBT UL94-V0 外框材質：環保防火PBT
- Impeller : Thermoplastic PBT UL94-V0 扇葉材質：環保防火PBT
- Bearing System : WRB Bearing 軸承結構：長壽命耐壓軸承
- Unit Weight : 3g 風扇單體重量：3克
- Wire : UL1571 AWG#30 ●Line 1 : Red Wire---(+)
- line 2 : Black Wire---(-)

Model No.	Rated Voltage (VAC)	Current (mA)	Power (W)	Speed (RPM)	Air Flow		Air Pressure		Noise (dBA)
					(CFM)	(m ³ /min)	(mmAq)	(In H ₂ O)	
SFB2008-3	3.3(2.8~3.6)	45	0.15	6000	0.37	0.010	1.93	0.076	14.4
SFB2008-5	5(4.5~5.5)	65	0.33	8000	0.48	0.014	3.29	0.130	18.2

★此系列機種皆含IP58,耐塵耐水防護 This series of models all contain IP58 dustproof and waterproof grade protection
 ★產品詳細數據及功能請參閱承認書 Product have a detail in the approval sheet.



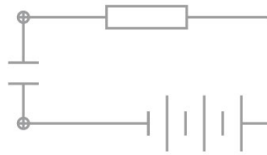
DC MINI Fan Blower SFB2008NL



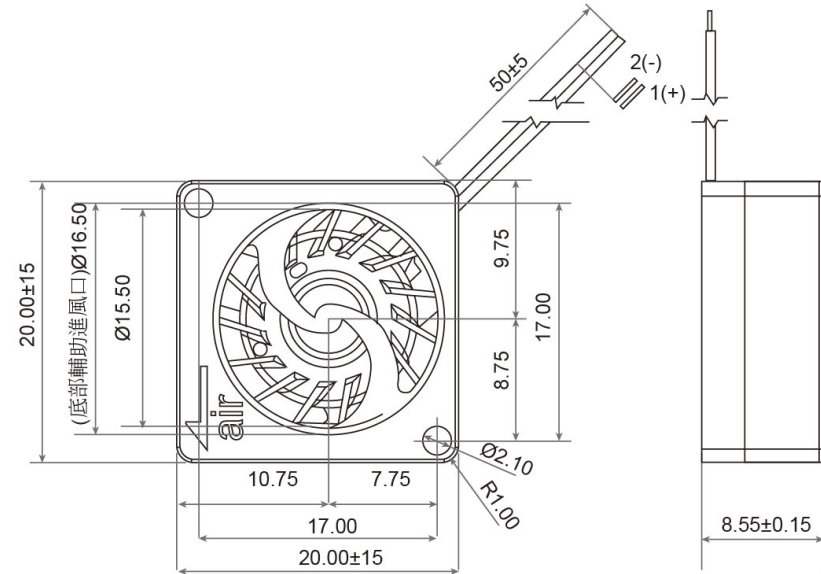
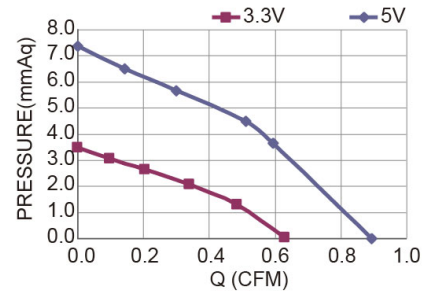
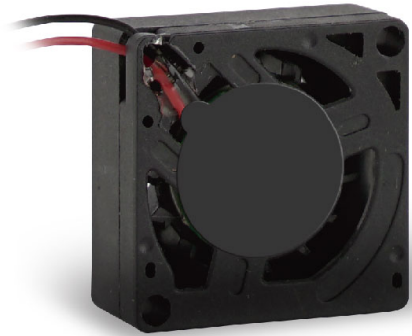
- Frame : Thermoplastic PBT UL94-V0 外框材質：環保防火PBT
- Impeller : Thermoplastic PBT UL94-V0 扇葉材質：環保防火PBT
- Bearing System : WRB Bearing 軸承結構：長壽命耐壓軸承
- Unit Weight : 2.9g 風扇單體重量：2.9克
- Wire : UL1571 AWG#30 ●Line 1 : Red Wire---(+)
- line 2 : Black Wire---(-)

Model No.	Rated Voltage (VAC)	Current (mA)	Power (W)	Speed (RPM)	Air Flow (CFM)	Air Flow (m ³ /min)	Air Pressure (mmAq)	Air Pressure (In H ₂ O)	Noise (dBA)
SFB2008NL-3	3.3(2.8~3.6)	45	0.15	8000	0.50	0.014	2.05	0.081	16.0
SFB2008NL-5	5(4.5~5.5)	70	0.35	11000	0.70	0.020	4.24	0.167	24.0

★此系列機種皆含IP58,耐塵防水防護 This series of models all contain IP58 dustproof and waterproof grade protection
 ★產品詳細數據及功能請參閱承認書 Product have a detail in the approval sheet.



DC MINI Fan Blower SFB2008N



- Frame : Thermoplastic PBT UL94-V0 外框材質：環保防火PBT
- Impeller : Thermoplastic PBT UL94-V0 扇葉材質：環保防火PBT
- Bearing System : WRB Bearing 軸承結構：長壽命耐壓軸承
- Unit Weight : 2.9g 風扇單體重量：2.9克
- Wire : UL1571 AWG#30 ●Line 1 : Red Wire---(+) ●line 2 : Black Wire---(-)

Model No.	Rated Voltage (VAC)	Current (mA)	Power (W)	Speed (RPM)	Air Flow (CFM)	Air Flow (m ³ /min)	Air Pressure (mmAq)	Air Pressure (In H ₂ O)	Noise (dBA)
SFB2008N-3	3.3(2.8~3.6)	85	0.28	10000	0.63	0.018	3.48	0.137	21.8
SFB2008N-5	5(4.5~5.5)	125	0.63	14000	0.89	0.025	7.36	0.290	31.1

★此系列機種皆含IP58,耐塵耐水防護 This series of models all contain IP58 dustproof and waterproof grade protection
 ★產品詳細數據及功能請參閱承認書 Product have a detail in the approval sheet.