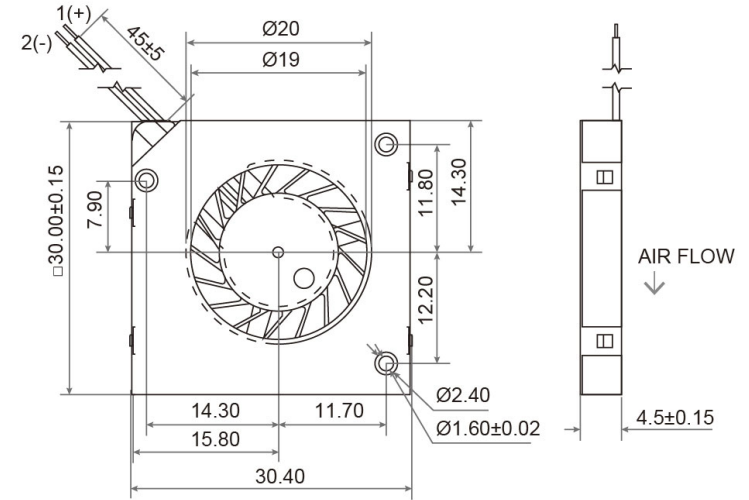
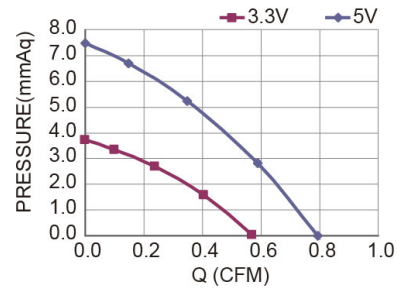
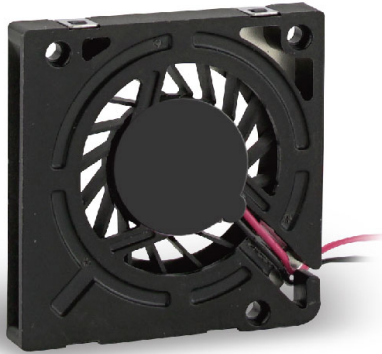




DC MINI Fan Blower SFB3004



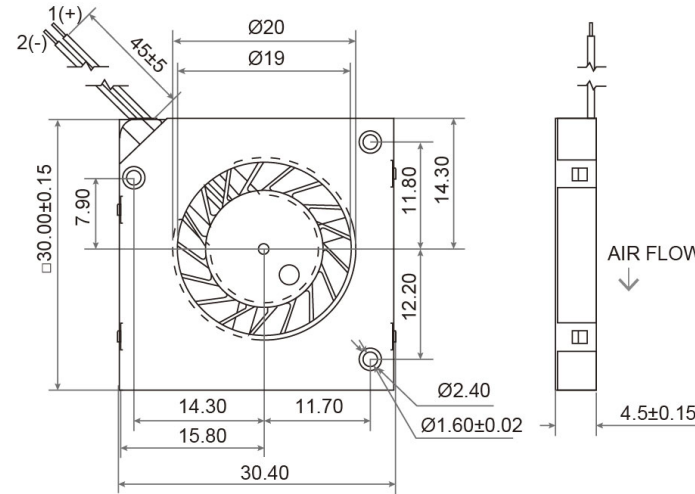
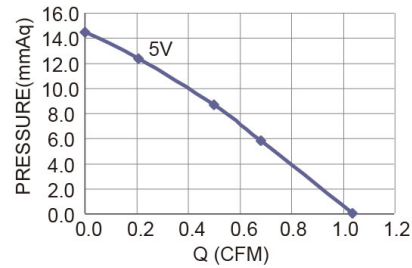
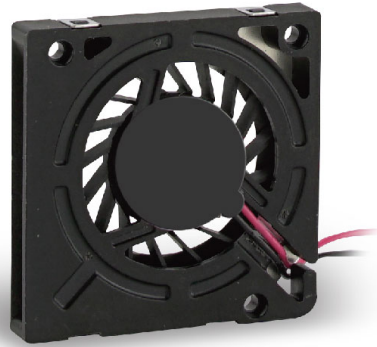
- Frame : Thermoplastic PBT UL94-V0 外框材質：環保防火PBT
- Impeller : Thermoplastic PBT UL94-V0 扇葉材質：環保防火PBT
- Bearing System : WRB Bearing 軸承結構：長壽命耐壓軸承
- Unit Weight : 4.79g 風扇單體重量：4.79克
- Wire : UL1571 AWG#30 ●Line 1 : Red Wire---(+)
- line 2 : Black Wire---(-)

Model No.	Rated Voltage (VAC)	Current (mA)	Power (W)	Speed (RPM)	Air Flow (CFM)	Air Flow (m ³ /min)	Air Pressure (mmAq)	Air Pressure (In H ₂ O)	Noise (dBA)
SFB3004-3	3.3(2.8~3.6)	40	0.13	6000	0.57	0.016	3.71	0.146	17.2
SFB3004-5	5(4.5~5.5)	57	0.29	8500	0.79	0.022	7.48	0.295	25.7

★此系列機種皆含IP58,耐塵防水防護 This series of models all contain IP58 dustproof and waterproof grade protection
 ★產品詳細數據及功能請參閱承認書 Product have a detail in the approval sheet.



DC MINI Fan Blower SFB3004H



- Frame : Thermoplastic PBT UL94-V0 外框材質：環保防火PBT
- Impeller : Thermoplastic PBT UL94-V0 扇葉材質：環保防火PBT
- Bearing System : WRB Bearing 軸承結構：長壽命耐壓軸承
- Unit Weight : 4.79g 風扇單體重量：4.79克
- Wire : UL1571 AWG#30 ●Line 1 : Red Wire---(+)
- line 2 : Black Wire---(-)

Model No.	Rated Voltage (VAC)	Current (mA)	Power (W)	Speed (RPM)	Air Flow (CFM)	Air Flow (m ³ /min)	Air Pressure (mmAq)	Air Pressure (In H ₂ O)	Noise (dBA)
SFB3004H	5(2.8~5.5)	120	0.60	11000	1.04	0.029	14.45	0.569	32.7

★此系列機種皆含IP58,耐塵耐水防護 This series of models all contain IP58 dustproof and waterproof grade protection
 ★產品詳細數據及功能請參閱承認書 Product have a detail in the approval sheet.