



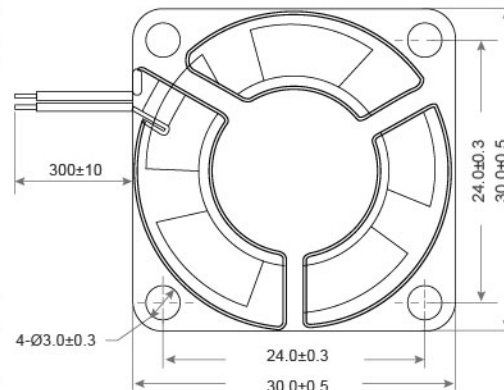
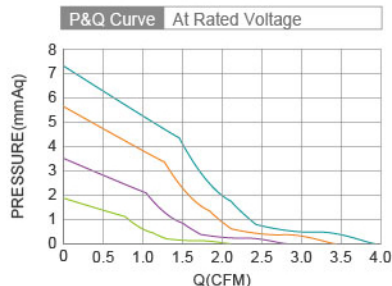
DC AXIAL FAN TRS3010 SERIES 30X30X10mm



- Frame : Thermoplastic PBT UL94-V0
外框材質：環保防火PBT
- Impeller : Thermoplastic PBT UL94-V0
扇葉材質：環保防火PBT
- Bearing : ※Sleeve · ◎Two Ball Bearing
軸承：※含油 · ◎滾珠軸承
- Unit Weight : 8g
風扇單體重量：8克

AIR FLOW →

ROTATION ↻

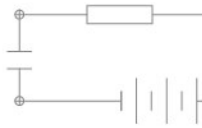


Model No.	Bearing Type	Voltage (VDC)	Current (A)	Power (W)	Speed (RPM)	Air Flow (CFM)	Air Flow (m ³ /min)	Air Pressure (mmH ₂ O)	Air Pressure (Inch H ₂ O)	Noise (dBA)
TRS3010x05L	※◎	5 (4.0~5.5)	0.07	0.35	6000	2.07	0.06	1.98	0.08	20.5
TRS3010x05M	※◎	5 (4.0~5.5)	0.12	0.60	8000	2.76	0.08	3.51	0.14	25.2
TRS3010x05H	※◎	5 (4.0~5.5)	0.18	0.90	10000	3.45	0.10	5.49	0.22	31.6
TRS3010x12L	※◎	12 (7.0~14.0)	0.05	0.60	6000	2.07	0.06	1.98	0.08	20.5
TRS3010x12M	※◎	12 (7.0~14.0)	0.07	0.84	8000	2.76	0.08	3.51	0.14	25.2
TRS3010x12H	※◎	12 (7.0~14.0)	0.10	1.20	10000	3.45	0.10	5.49	0.22	31.6
TRS3010x12VH	※◎	12 (7.0~14.0)	0.13	1.56	11500	3.97	0.11	7.26	0.29	34.0

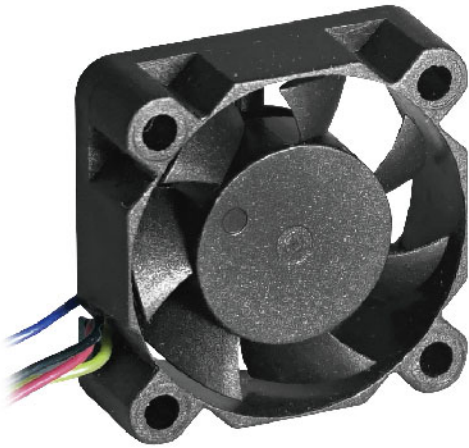
⊗ Bearing System ※ : Sleeve ★ : WRB ◎ : Ball

★如果您需要的轉速或電壓或功能不在這份清單上，請與我們業務聯繫 Please contact us, if the SPEC you need is not in the list.

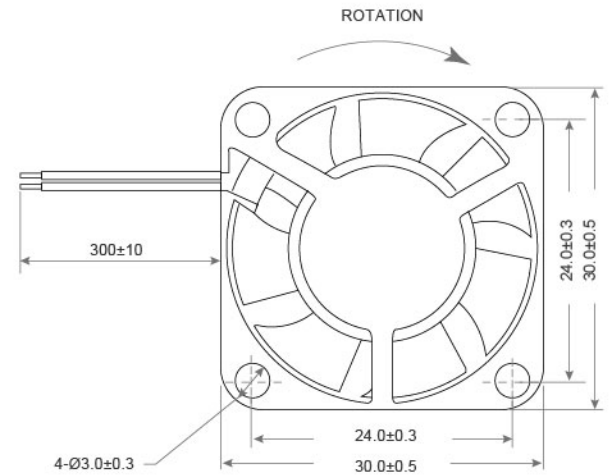
★產品詳細數據及功能請參閱承認書 Please see the approval sheet for more information . ★產品規格變更不另行通知 Specifications are subject to change without notice.



DC AXIAL FAN TRS3010 SERIES 30X30X10mm

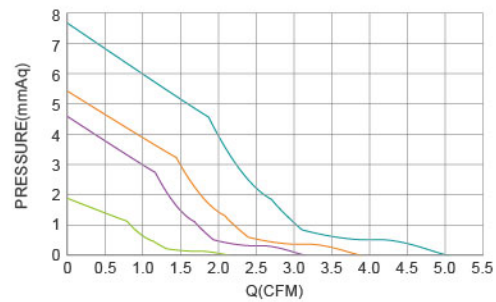


DIMENSIONS DRAWING UNIT : mm



- Frame : Thermoplastic PBT UL94-V0
外框材質：環保防火PBT
- Impeller : Thermoplastic PBT UL94-V0
扇葉材質：環保防火PBT
- Bearing : ※ Sleeve · ★ WRB · ◎ Two Ball Bearing
軸承：※ 含油 · ★ WRB · ◎ 滾珠軸承
- Unit Weight : 8.5g
風扇單體重量：8.5克

P&Q Curve At Rated Voltage

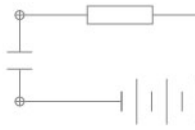


Model No.	Bearing Type	Voltage (VDC)	Current (A)	Power (W)	Speed (RPM)	Air Flow (CFM)	Air Flow (m ³ /min)	Air Pressure (mmH ₂ O)	Air Pressure (Inch H ₂ O)	Noise (dBA)
TRS3010x05L	※★◎	5 (4.0~5.5)	0.07	0.35	6000	2.07	0.06	1.98	0.08	21.0
TRS3010x05M	※★◎	5 (4.0~5.5)	0.12	0.60	8000	2.76	0.08	3.51	0.14	25.2
TRS3010x05H	※★◎	5 (4.0~5.5)	0.19	0.96	11500	5.05	0.14	7.59	0.30	34.0
TRS3010x12L	※★◎	12 (7.0~14.0)	0.05	0.60	6000	2.07	0.06	1.98	0.08	21.0
TRS3010x12M	※★◎	12 (7.0~14.0)	0.06	0.72	8000	3.11	0.09	4.62	0.18	25.2
TRS3010x12H	※★◎	12 (7.0~14.0)	0.09	1.08	10000	3.73	0.11	5.33	0.21	31.6
TRS3010x12VH	※★◎	12 (7.0~14.0)	0.08	0.96	11500	5.05	0.14	7.59	0.30	34.0

◎ Bearing System ※ : Sleeve ★ : WRB ◎ : Ball

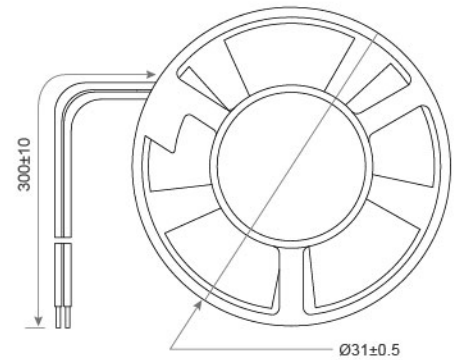
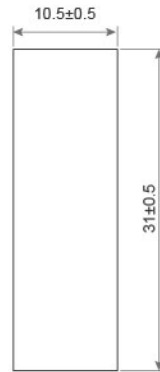
★如果您需要的轉速或電壓或功能不在這份清單上，請與我們業務聯繫 Please contact us, if the SPEC you need is not in the list.

★產品詳細數據及功能請參閱承認書 Please see the approval sheet for more information . ★產品規格變更不另行通知 Specifications are subject to change without notice.



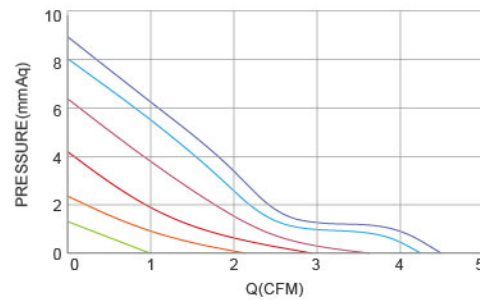
DC AXIAL FAN TRS3010 U SERIES Ø30X10mm

DIMENSIONS DRAWING UNIT : mm



- Frame : Thermoplastic PBT UL94-V0
外框材質：環保防火PBT
- Impeller : Thermoplastic PBT UL94-V0
扇葉材質：環保防火PBT
- Bearing : ※Sleeve · ★WRB · ◎Two Ball Bearing
軸承：※含油 · ★WRB · ◎滾珠軸承
- Unit Weight : 8g
風扇單體重量：8克

P&Q Curve At Rated Voltage



Model No.	Bearing Type	Voltage (VDC)	Current (A)	Power (W)	Speed (RPM)	Air Flow		Air Pressure		Noise (dBA)
						(CFM)	(m ³ /min)	(mmH ₂ O)	(Inch H ₂ O)	
TRS3010x05L	※◎★	5 (3.0~6.0)	0.14	0.72	5000	0.98	0.028	1.22	0.048	15.5
TRS3010x05M	※◎★	5 (3.0~6.0)	0.17	0.84	7000	2.25	0.064	2.50	0.098	22.4
TRS3010x05H	※◎★	5 (3.0~6.0)	0.19	0.96	9000	2.95	0.084	4.25	0.167	26.3
TRS3010x05VH	※◎★	5 (3.0~6.0)	0.22	1.08	11000	3.61	0.102	6.28	0.247	32.0
TRS3010x05SH	※◎★	5 (3.0~6.0)	0.24	1.20	13000	4.25	0.120	8.25	0.325	34.9
TRS3010x12L	※◎★	12 (8.5~13.5)	0.06	0.72	5000	0.98	0.028	1.22	0.048	15.5
TRS3010x12M	※◎★	12 (8.5~13.5)	0.07	0.84	7000	2.25	0.064	2.50	0.098	22.4
TRS3010x12H	※◎★	12 (8.5~13.5)	0.08	0.96	9000	2.95	0.084	4.25	0.167	26.3
TRS3010x12VH	※◎★	12 (8.5~13.5)	0.09	1.08	11000	3.61	0.102	6.28	0.247	32.0
TRS3010x12SH	※◎★	12 (8.5~13.5)	0.10	1.20	13000	4.25	0.120	8.25	0.325	34.9

◎ Bearing System ※ : Sleeve ★ : WRB ◎ : Ball

★如果您需要的轉速或電壓或功能不在這份清單上，請與我們業務聯繫 Please contact us, if the SPEC you need is not in the list.

★產品詳細數據及功能請參閱承認書 Please see the approval sheet for more information . ★產品規格變更不另行通知 Specifications are subject to change without notice.